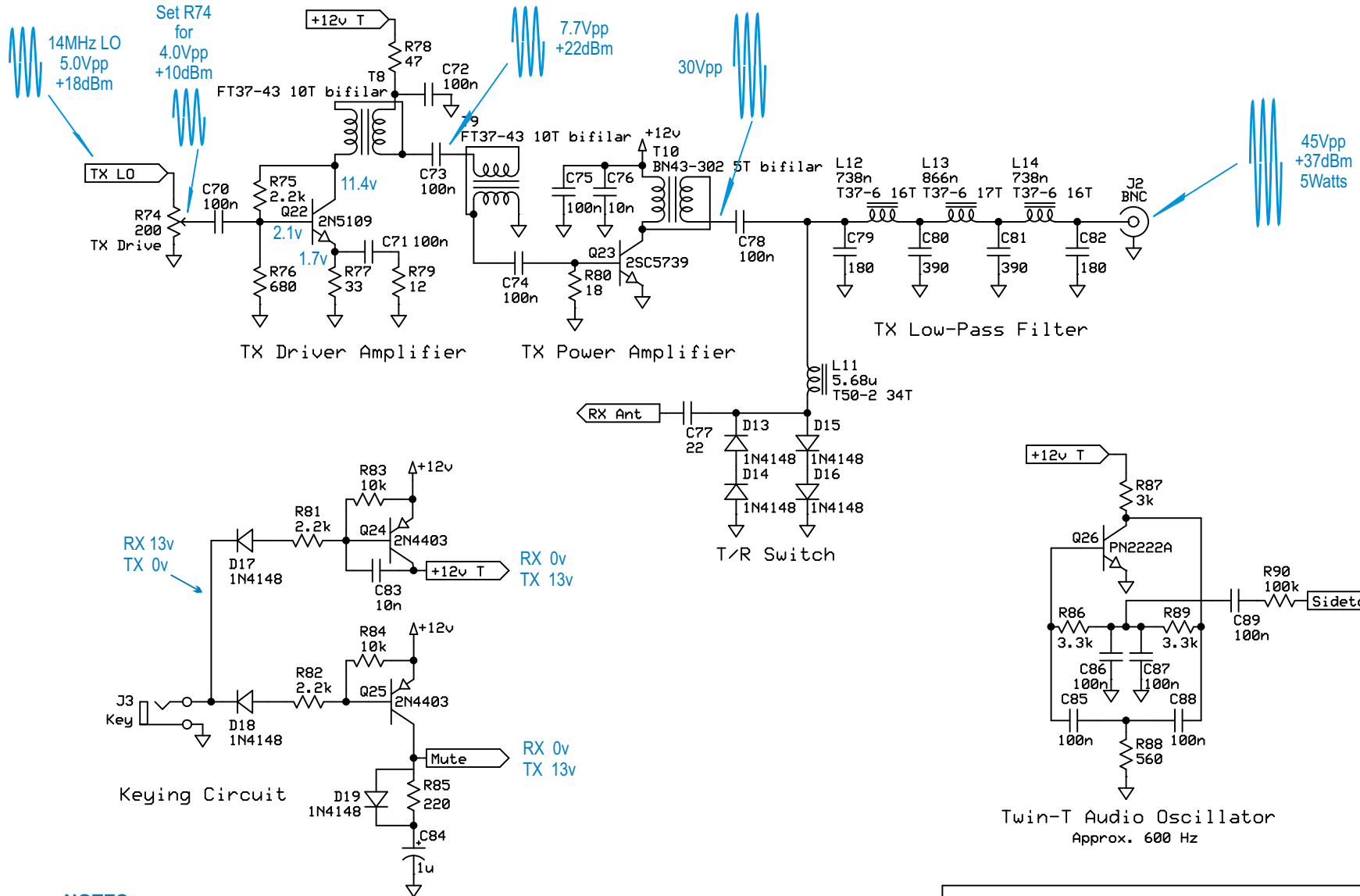


NOTES:

1. Input DC = 13.6VDC for all tests
2. Test condition: -30dBm RF input at antenna jack
3. Test condition: -40dBm RF input at antenna jack
4. Set AUDIO GAIN R63 to 500mVpp with 600-800Hz CW audio tone
5. Voltages and waveforms as measured by Paul Harden, NA5N
Your mileage may vary; voltages and levels should be within ±10% from those shown



NOTES:

1. Input DC = 13.6VDC for all tests
2. All transmitter waveforms taken during key-down XMIT
3. Set TX DRIVE R74 to 4.0Vpp for 5W output

qrp-1.org Group Project		
QRP Transmitter		
Jason Milldrum, NT7S	Rev 1.1 3 Feb 2008	Page 3 of 3