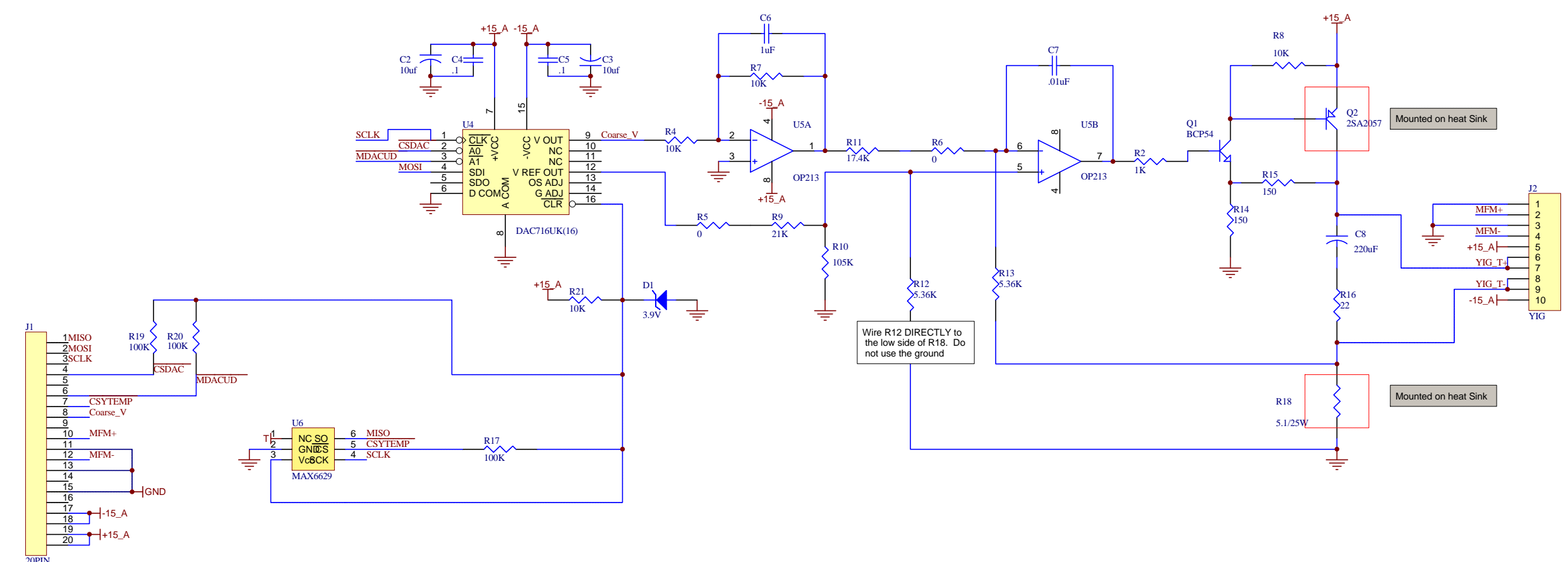


REV	DATE	DRAWN BY	APPRV'D BY	DESCRIPTION



Wire R12 DIRECTLY to the low side of R18. Do not use the ground

Mounted on heat Sink

Mounted on heat Sink

PROTEL : C23250Q0007RevP1_3.Sch

UNLESS OTHERWISE SPECIFIED
DIMENSIONS ARE IN INCHES

TOLERANCES : ANGLES %P
4 PLACE DECIMALS (XXXX) %P
3 PLACE DECIMALS (XXX) %P
2 PLACE DECIMALS (XX) %P
1 PLACE DECIMALS (X) %P

**E
V
L
A** PROJECT

VLA Expansion Project
Antenna Electronics

**T
I
T
L
E**

Unipolar YIG Driver

**NATIONAL
RADIO
ASTRONOMY
OBSERVATORY**

SOCORRO, NEW MEXICO 87801

DRAWN BY
D. Polyard

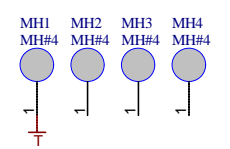
DESIGNED BY
S. Wetenkamp

APPROVED BY

DATE
1/23/03

DATE
12/13/02

DATE



NEXT ASSEMBLY DWG. TYPE

SHEET NUMBER 1 OF 1 DRAWING NUMBER REV. 1.3 SCALE