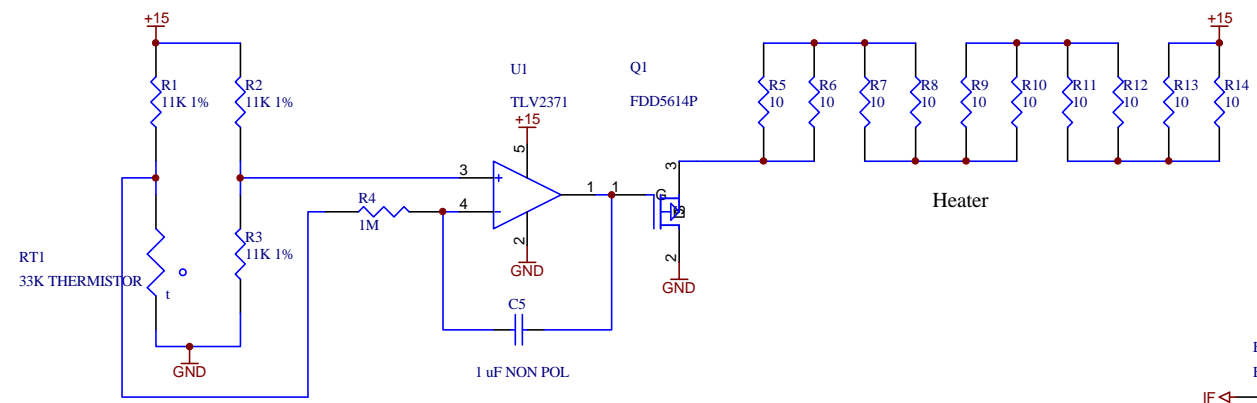
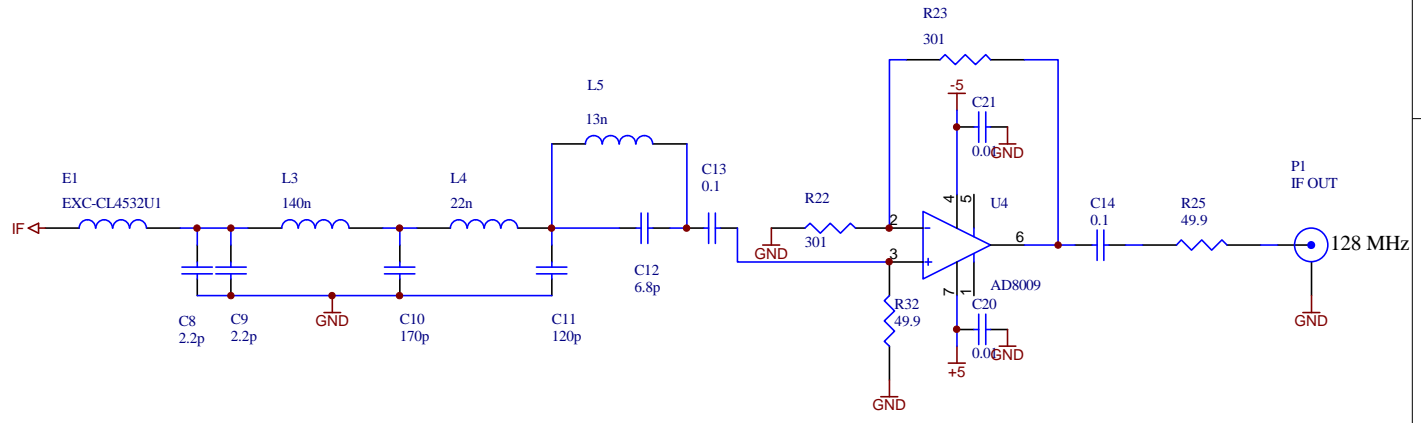


REV	DATE	DRAWN BY	APPR'V'D BY	DESCRIPTION

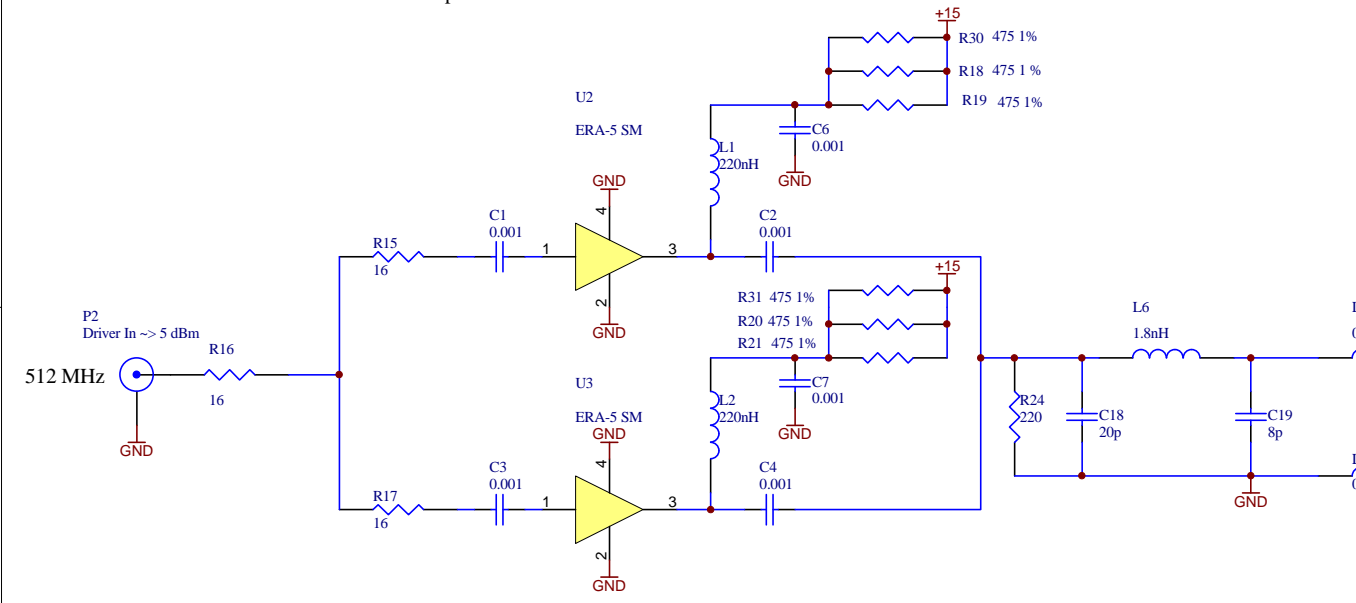


Temperature Controller



512 MHz Notch Filter

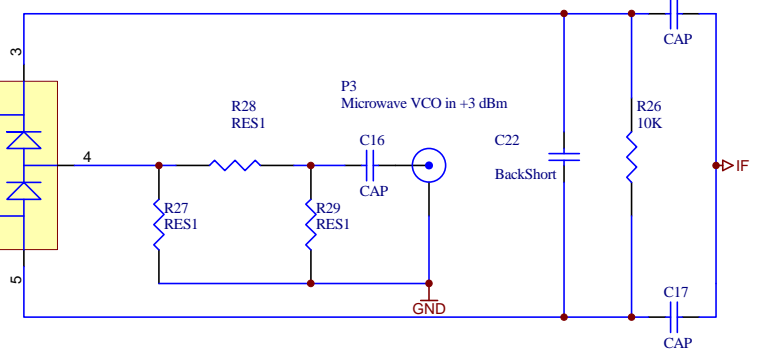
IF Buffer Amplifier



SRD Driver Amplifier

Input Matching

Sampling Mixer



A	PROTEL : B23250Q0010REV2_0.sch	
	NEXT ASSEMBLY	DWG. TYPE

UNLESS OTHERWISE SPECIFIED  
DIMENSIONS ARE IN INCHES

TOLERANCES : ANGLES %%P  
4 PLACE DECIMALS (XXXX) %%P  
3 PLACE DECIMALS (XXX) %%P  
2 PLACE DECIMALS (XX) %%P  
1 PLACE DECIMALS (X) %%P

MATERIAL :

FINISH :

**E  
V  
L  
A** PROJECT

VLA Expansion Project  
Antenna Electronics

**T  
I  
T  
L  
E**

L301 512 MHz Sampling Mixer

**NATIONAL  
RADIO  
ASTRONOMY  
OBSERVATORY**

SOCORRO, NEW MEXICO 87801

DRAWN BY  
**J. Muehlberg** DATE  
7 May 2004

DESIGNED BY  
**S. Wetenkamp** DATE  
1 Apr 2004

APPROVED BY  
**T. Cotter** DATE

SHEET NUMBER 1 OF 1 DRAWING NUMBER B23250Q0010 REV. 1.0 SCALE