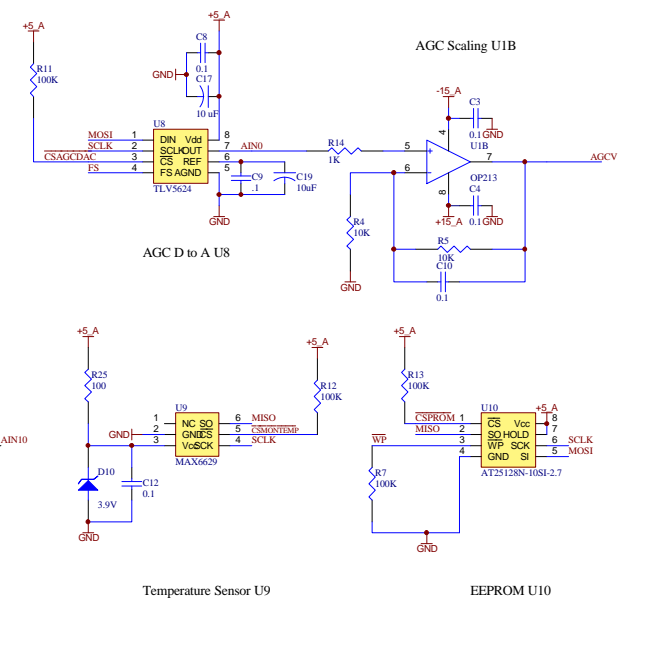
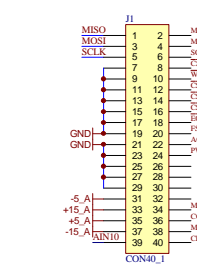
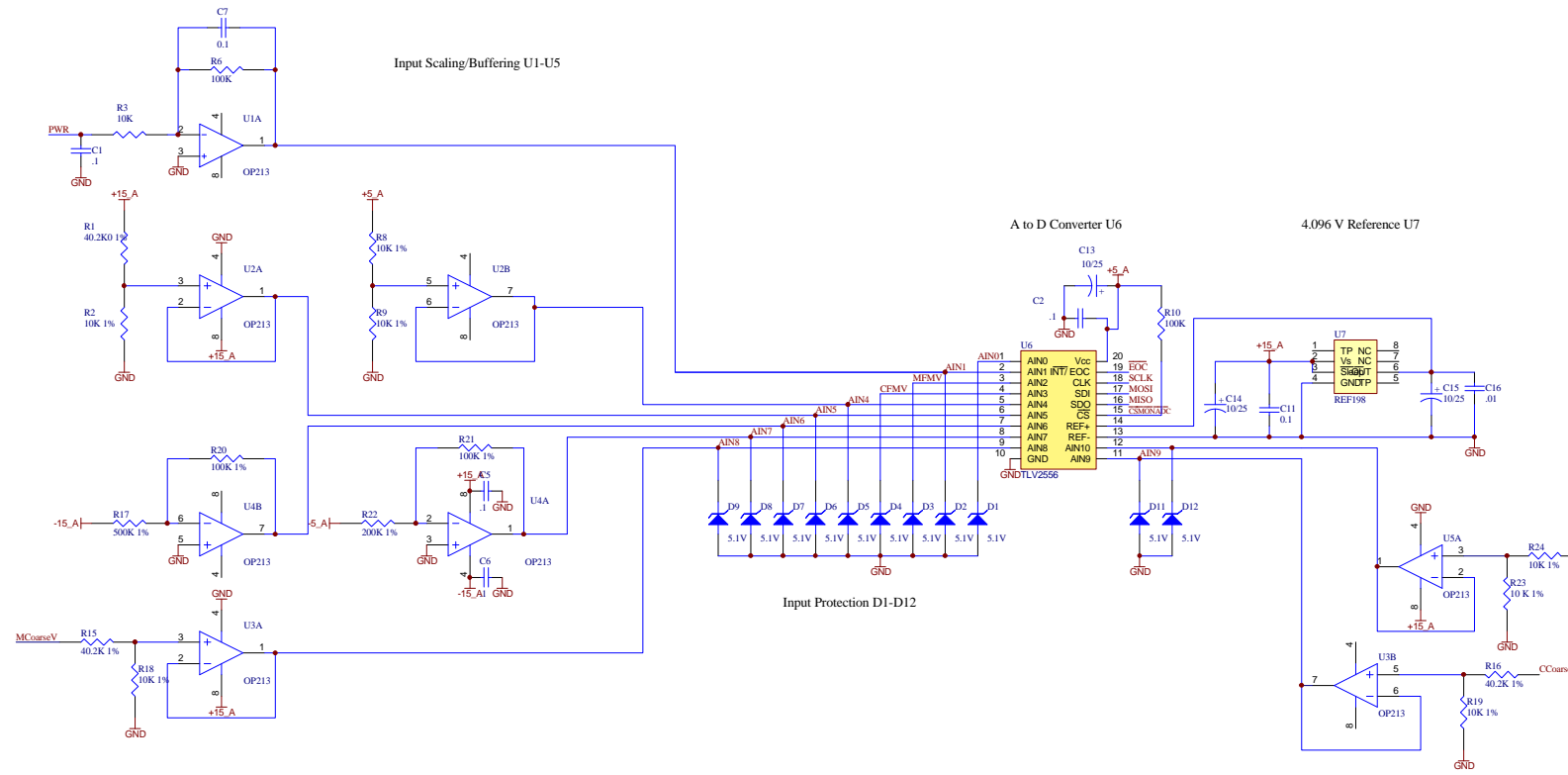


REV	DATE	DRAWN BY	APPRVD BY	DESCRIPTION
2.0	MAR 26, 2004	JEM	JEM	Added -5V monitor. Monitoring REG V's instead of Raw V's



Input Protection D1-D12

All R's 5% unless noted
All C's 10% unless noted
Capacitance in uF unless noted

UNLESS OTHERWISE SPECIFIED DIMENSIONS ARE IN INCHES
TOLERANCES - ANGLES 1/16"
4 PLACE DECIMALS (XXXX) 1/16"
3 PLACE DECIMALS (XXX) 1/32"
2 PLACE DECIMALS (XX) 1/16"
1 PLACE DECIMALS (X) 1/8"
MATERIAL :
FINISH :
NEXT ASSEMBLY :
DWG. TYPE :

PROTEL : C23250Q0004Rev2_1.sch

E V L A	P R O J E C T	Antenna Electronics L301 L302 Synthesizer		NATIONAL RADIO ASTRONOMY OBSERVATORY SOCORRO, NEW MEXICO 87801	
		Monitor/AGC/EPROM			
T I T L E		DRAWN BY J. Muehlberg	DATE JUN 24, 2003		
		DESIGNED BY J. Muehlberg	DATE Jan 2003		
		APPROVED BY T. Cotter	DATE		
SHEET NUMBER	1	OF	1	DRAWING NUMBER	C23245Q0004
				REV.	2.0
				SCALE	