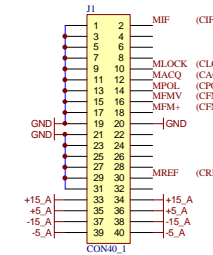
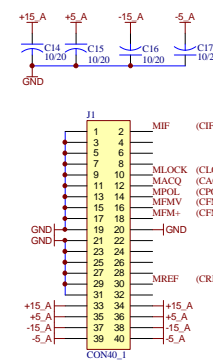
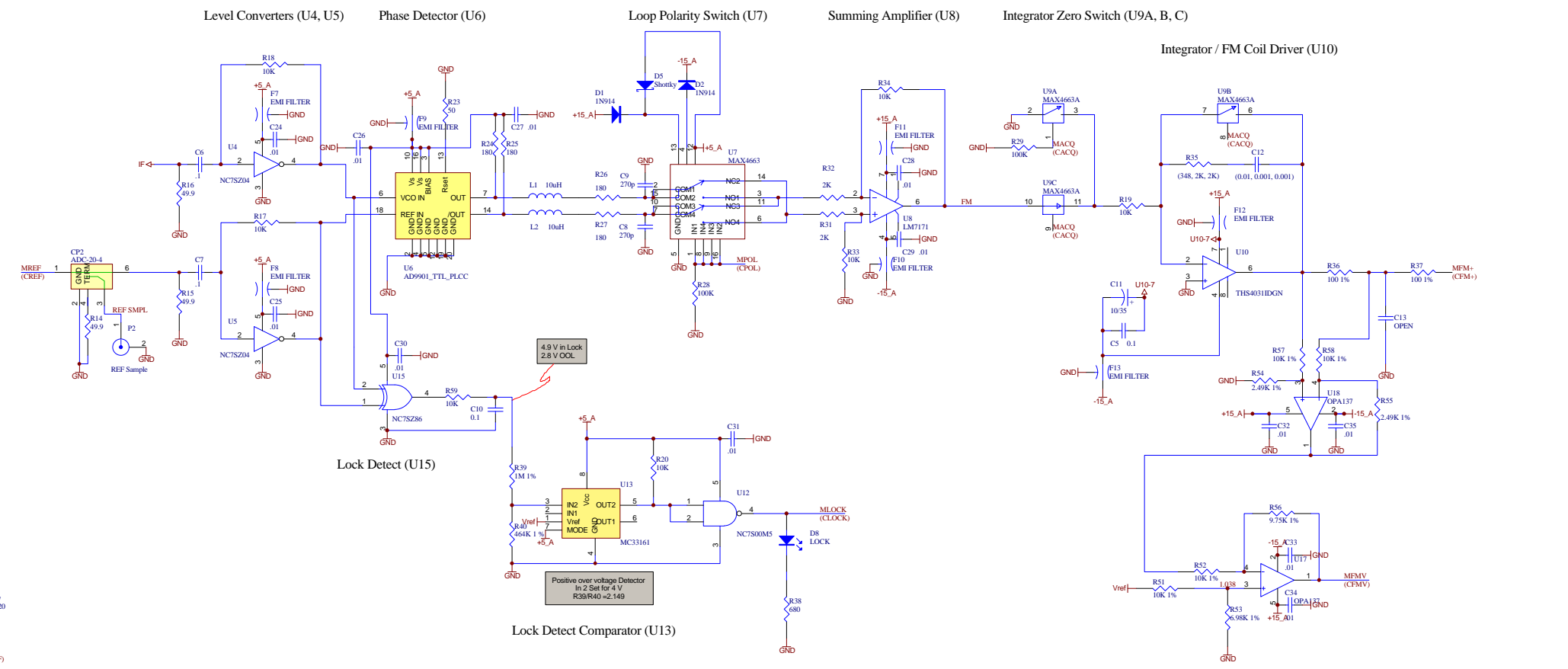
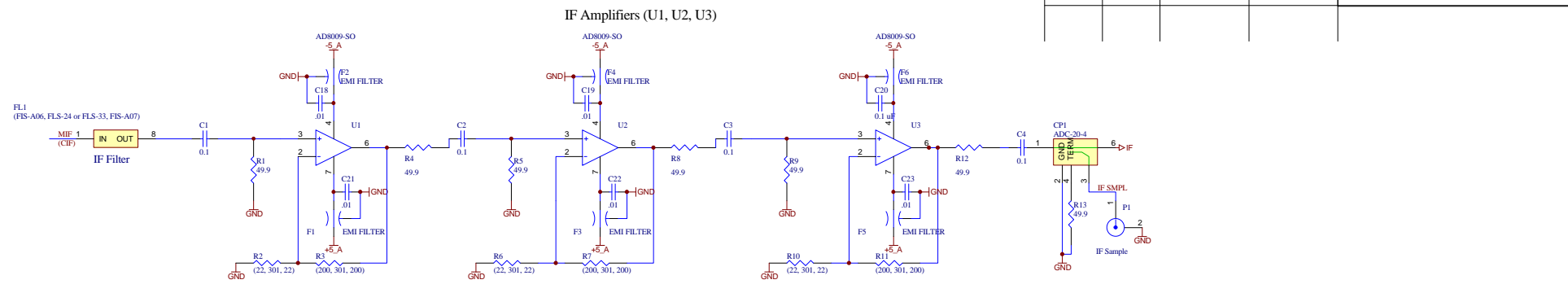


REV	DATE	DRAWN BY	APPRVD BY	DESCRIPTION
3.0	7/04	JEM	JEM	Re-annotated IF amp Resistors, R11 now terminates input. Significant PCB Change to alleviate IF amp oscillation.



Parts with multiple values:  
(L301, L302M, L302C)  
All Resistors 5% unless otherwise noted.  
All Capacitors 5% unless otherwise noted.

PROTEL : C23250Q0003 REV 3\_0\_Sch

UNLESS OTHERWISE SPECIFIED DIMENSIONS ARE IN INCHES
TOLERANCES : ANGLES 1/8"
4 PLACE DECIMALS (XXXX) 1/16"
3 PLACE DECIMALS (XXX) 1/32"
2 PLACE DECIMALS (XX) 1/16"
1 PLACE DECIMALS (X) 1/8"
MATERIAL :
FINISH :
NEXT ASSEMBLY
DWG. TYPE

E P R O J E C T	L301 and L302 Synthesizer
	L301 Main PLL, L302 Main and Control PLL
T I T L E	
SHEET NUMBER	1 OF 1
DRAWING NUMBER	C23250S0003

<b>NATIONAL RADIO ASTRONOMY OBSERVATORY</b> SOCORRO, NEW MEXICO 87801	
DRAWN BY	DATE
J. Muchberg	7/29/04
DESIGNED BY	DATE
J. Muchberg	7/29/04
APPROVED BY	DATE
T. Cotter	7/29/04
REV.	SCALE
3.0	