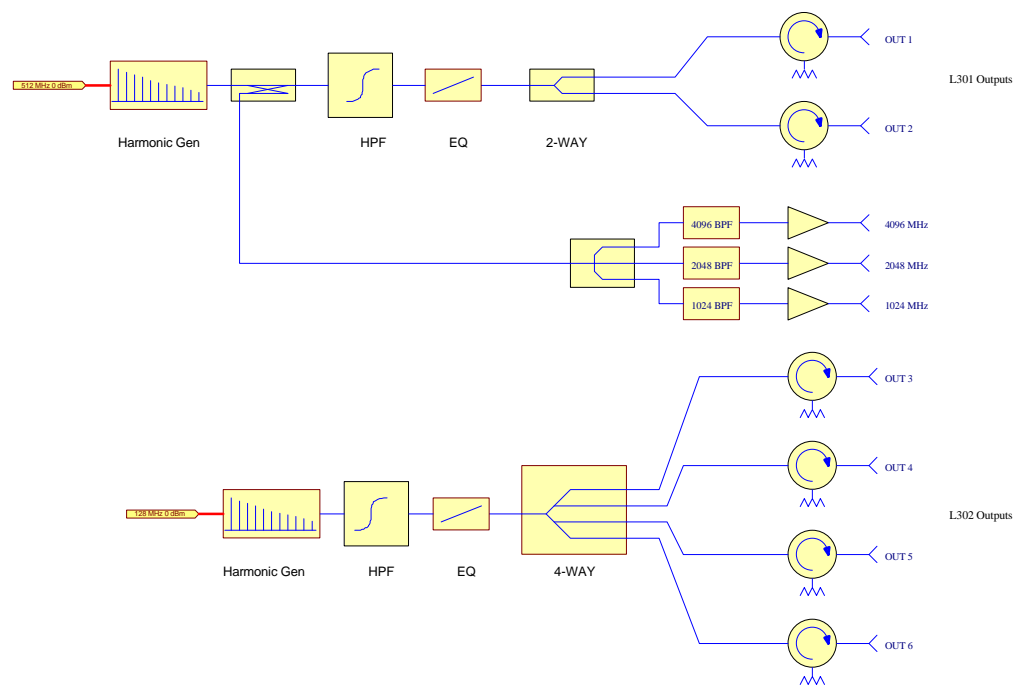


REV	DATE	DRAWN BY	APPRVD BY	DESCRIPTION



PROTEL : Reference GeneratorV2.Sch

NEXT ASSEMBLY	DWG. TYPE

UNLESS OTHERWISE SPECIFIED:
 All Resistances are in Ohms
 All Capacitors are in microfarads
 Component tolerances are 5%

E V L A	EVLA Antenna Electronics		NATIONAL RADIO ASTRONOMY OBSERVATORY		
	SOCORRO, NEW MEXICO 87801				
	DRAWN BY J. Muehlberg		DATE 12/16/04		
	DESIGNED BY J. Muehlberg		DATE		
APPROVED BY		DATE			
SHEET NUMBER	1	OF	1	DRAWING NUMBER	
REV.		SCALE			