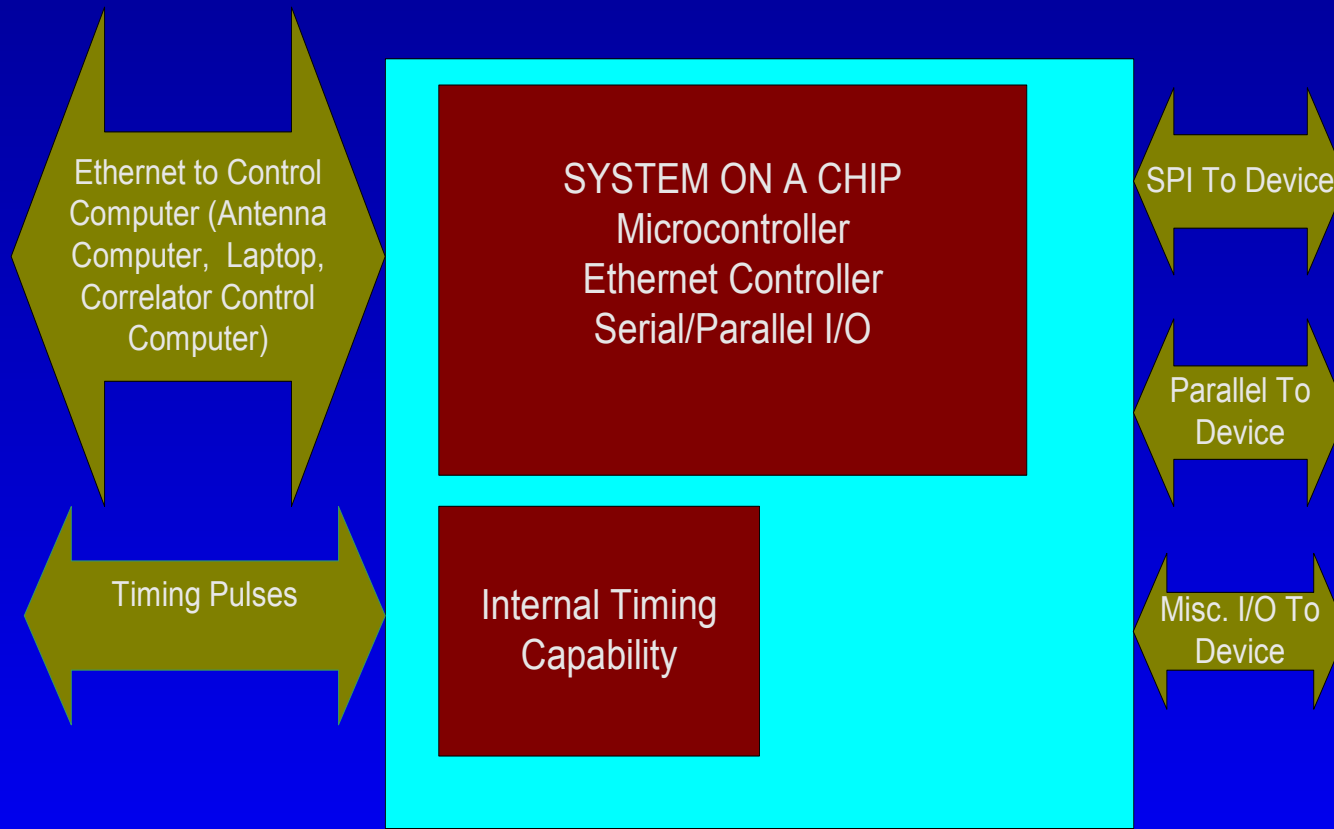
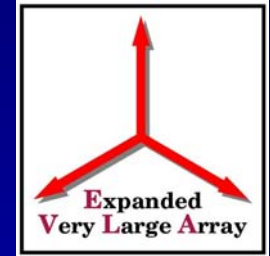


MIB GENERAL DESCRIPTION

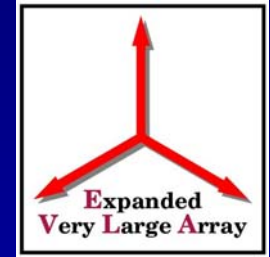


Module Interface Board (MIB)





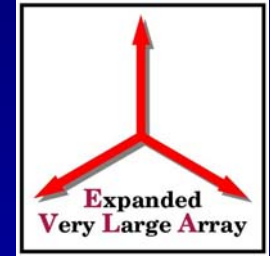
TC11IB SYSTEM ON A CHIP



- Manufactured by Infineon
- Microprocessor – TriCore Architecture
- Ethernet Controller With MII
- Ample On Chip Memory
- SPI
- Other I/O



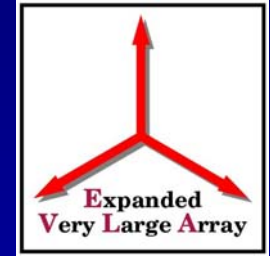
MIB COST



- \$100 For Infineon TC11IB
- \$300 For PCB, Other Parts
- \$400 Total MIB Cost



TCB11IB AVAILABILITY



- Delivery of “ES” Chips - March, 2002
- Delivery of Development Kit – March, 2002
- Factory Production Starts August, 2002