

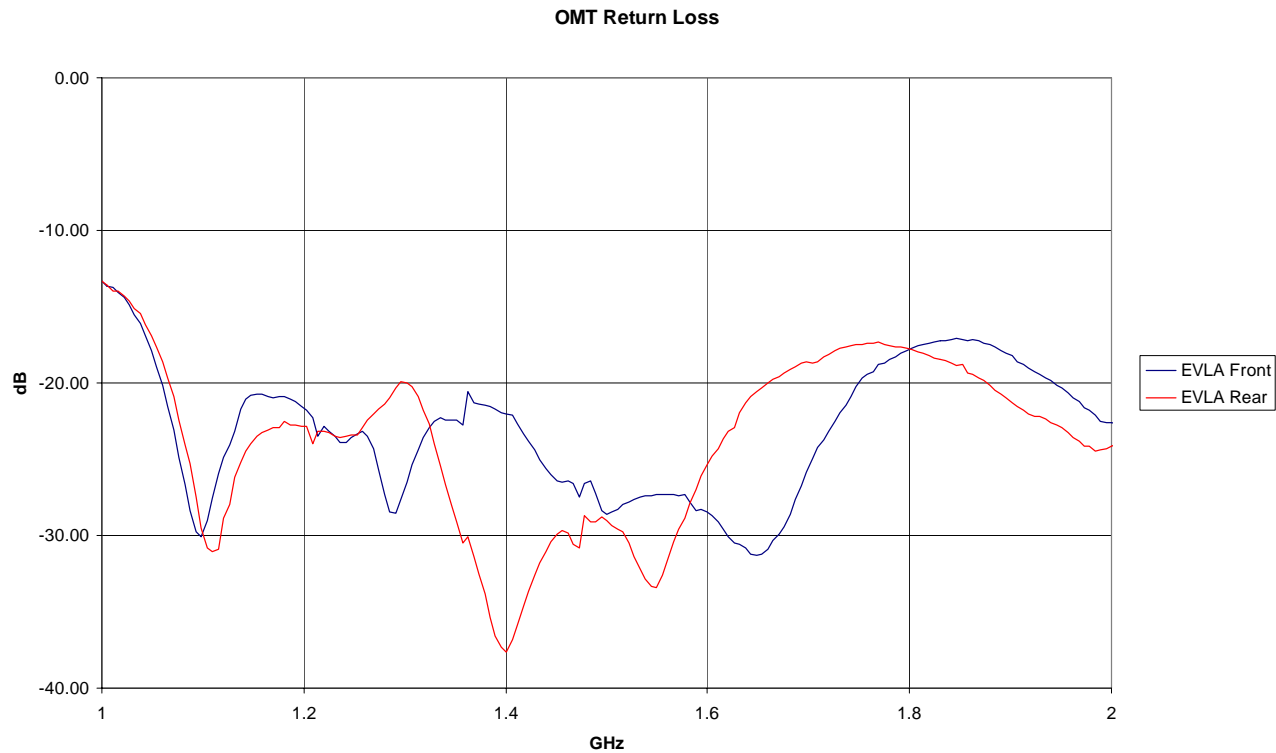
1 – 2 GHz EVLA OMT

Test Results

Feb. 2005

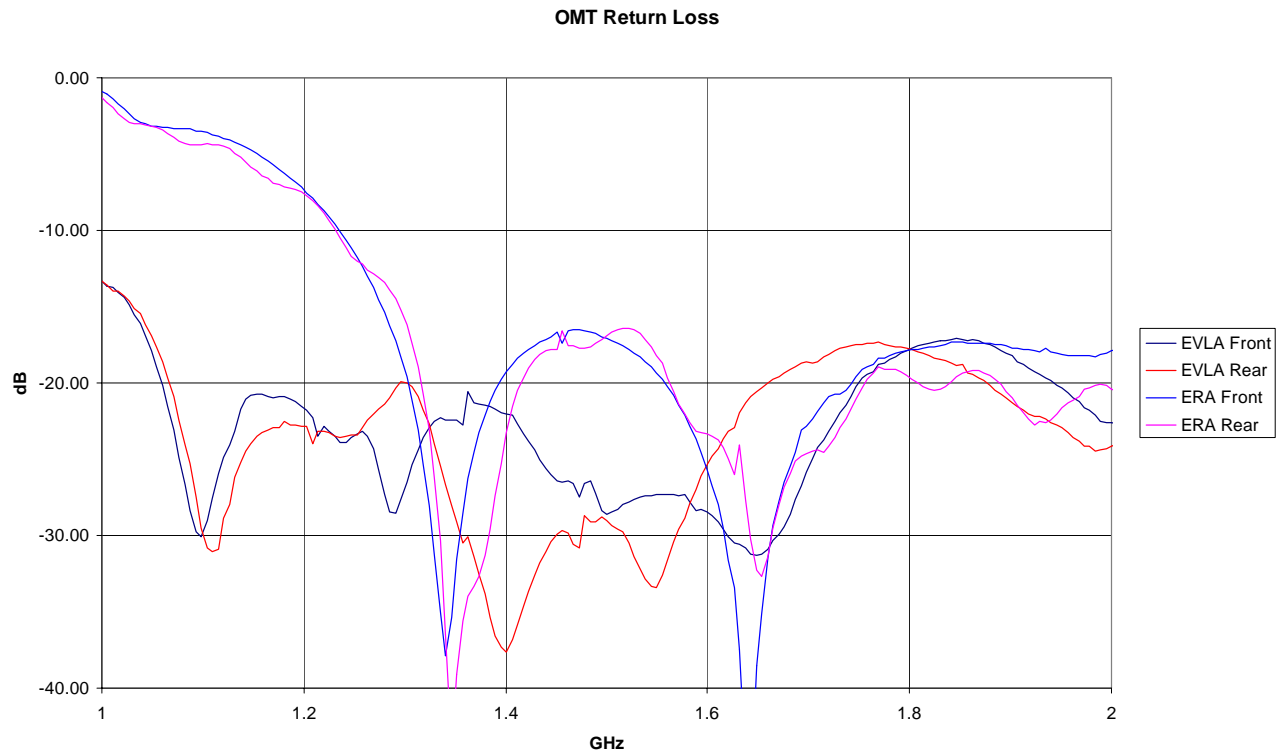


Return Loss



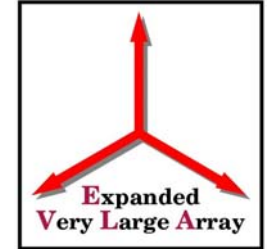


vs. ERA OMT

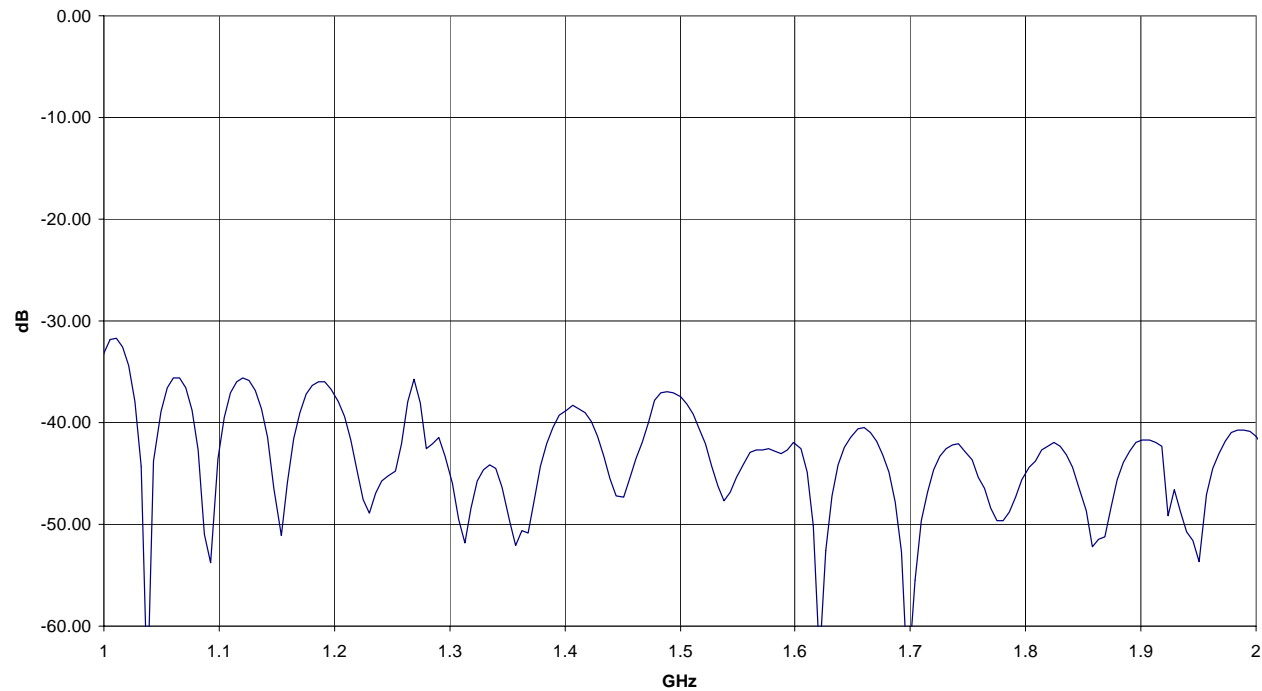




Isolation

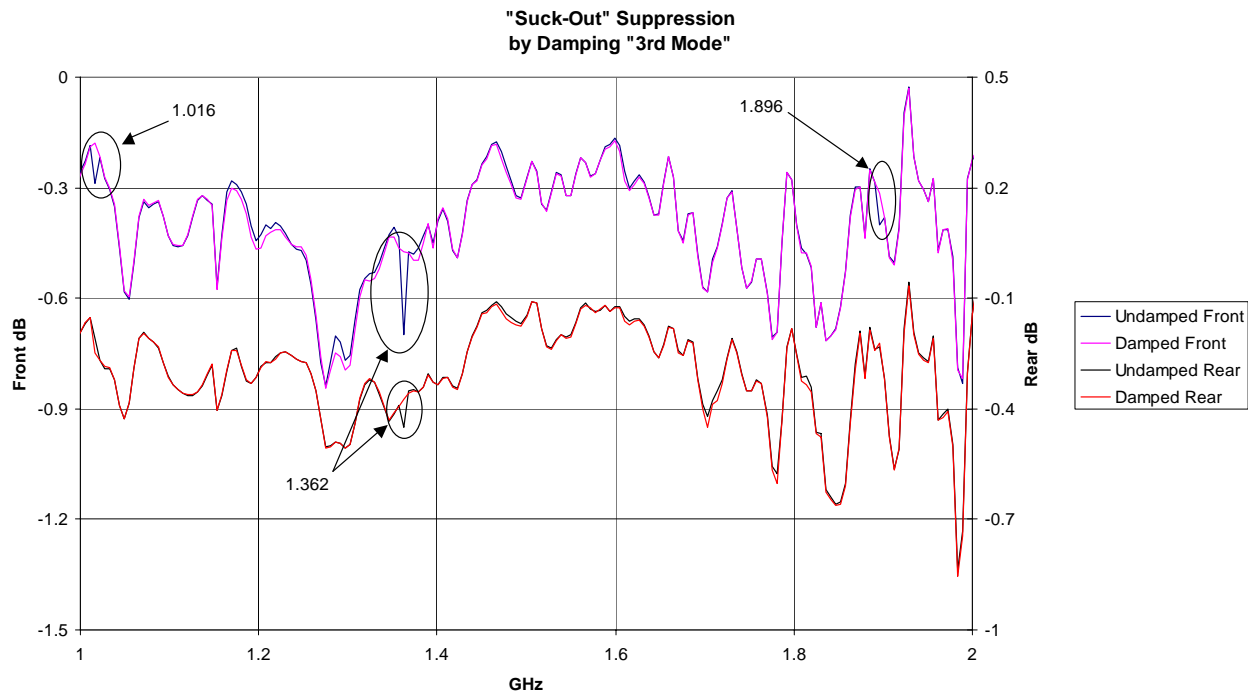
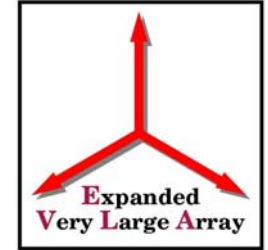


EVLA OMT Isolation



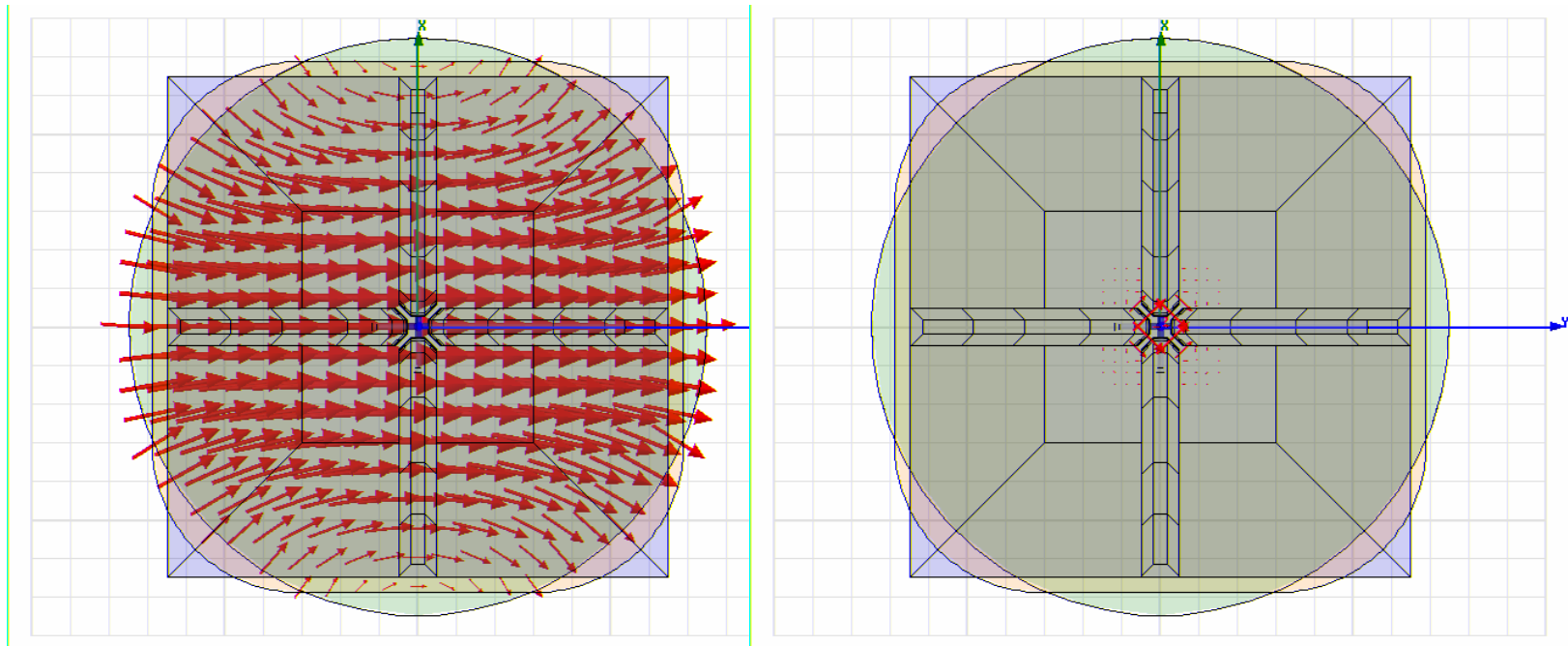
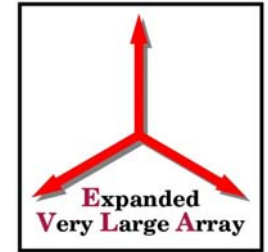


“Suck-Out” Suppression





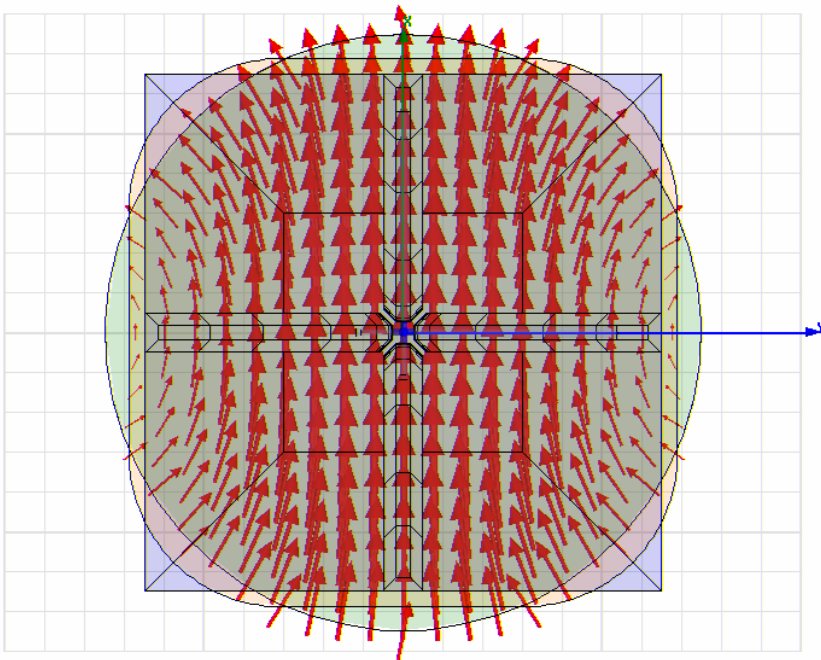
Mode 1



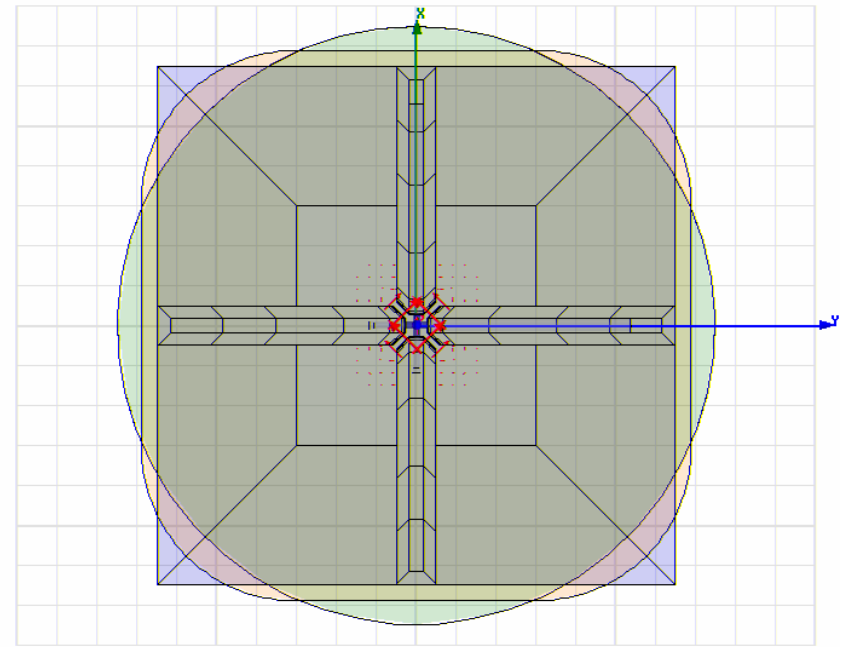
TE₁₁



Mode 2

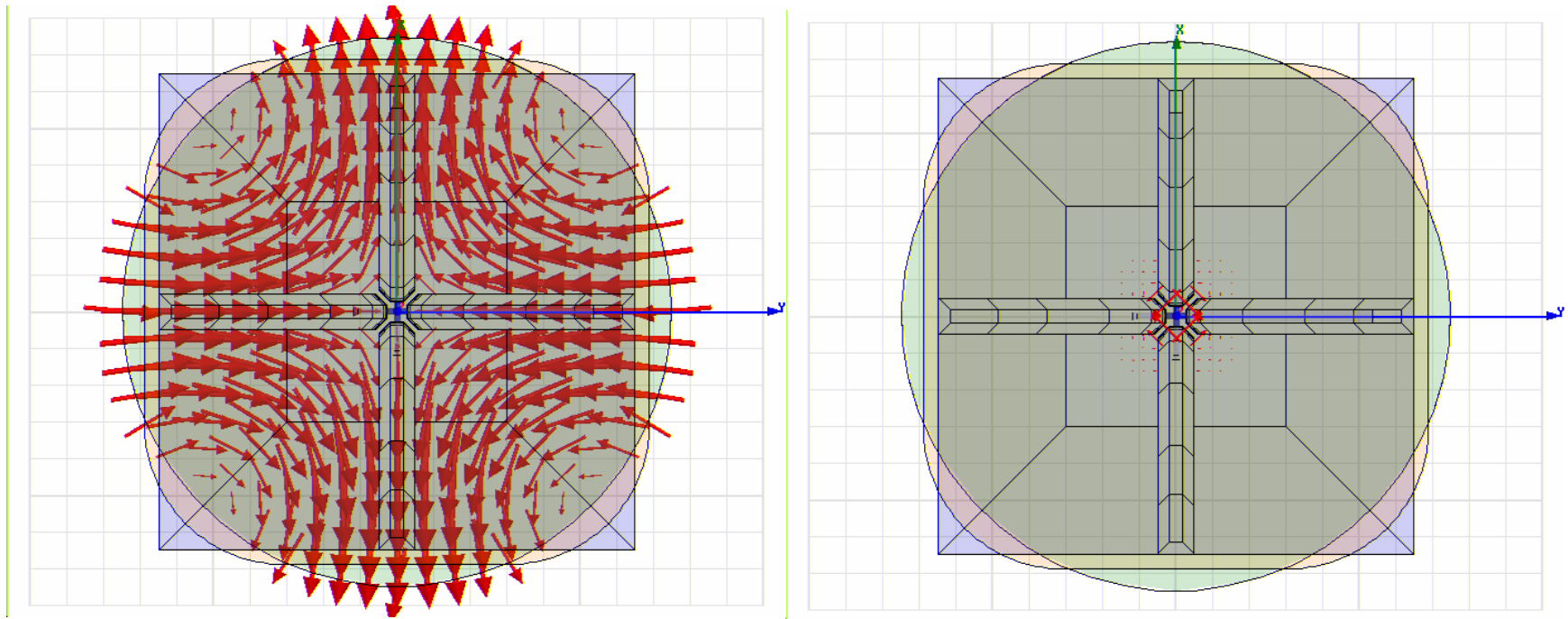
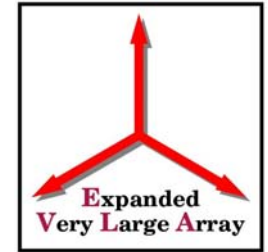


TE₁₁

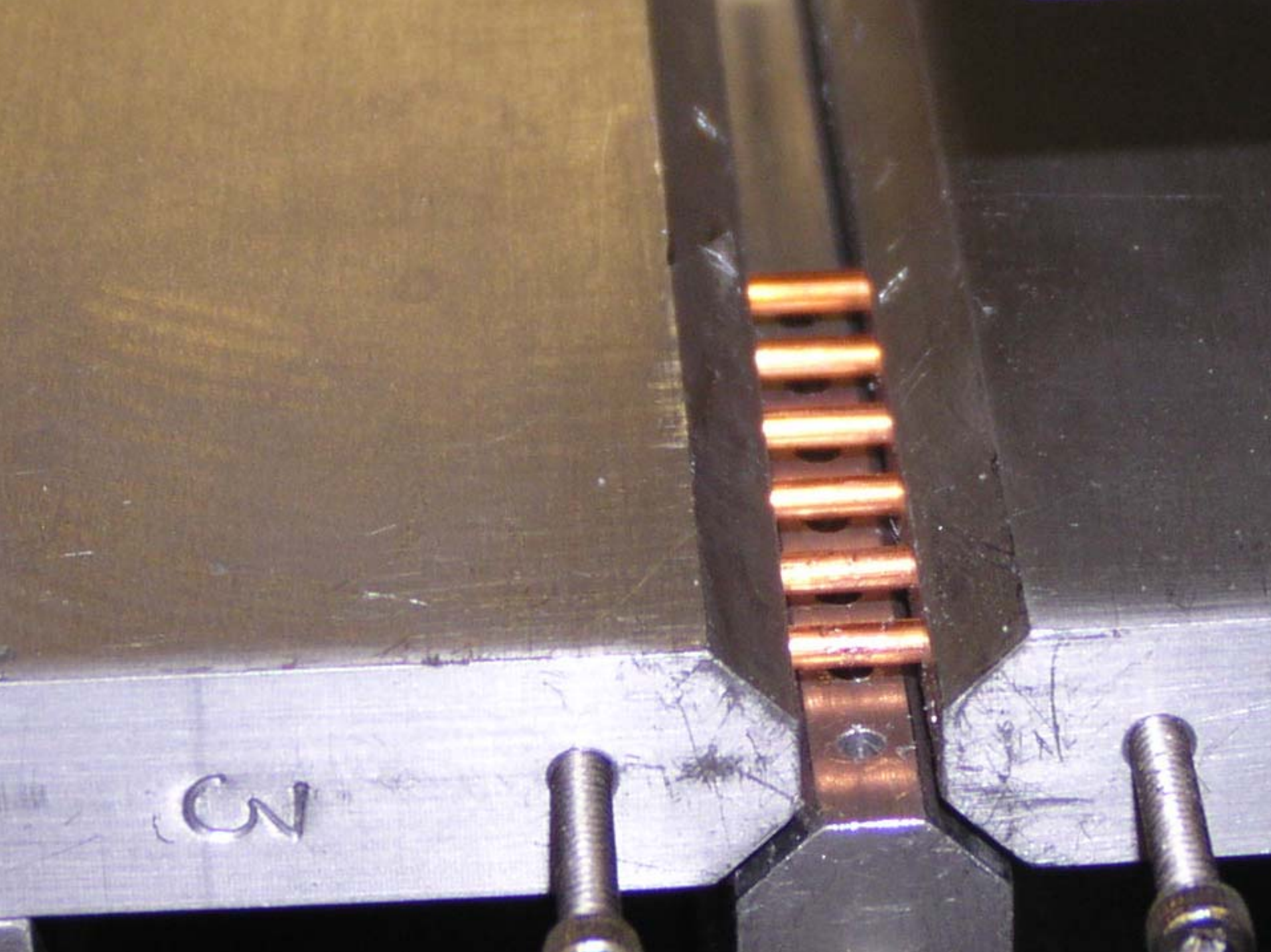




Mode 3



TE21



5