

Existing High Frequency Feed Modifications

Q-Band

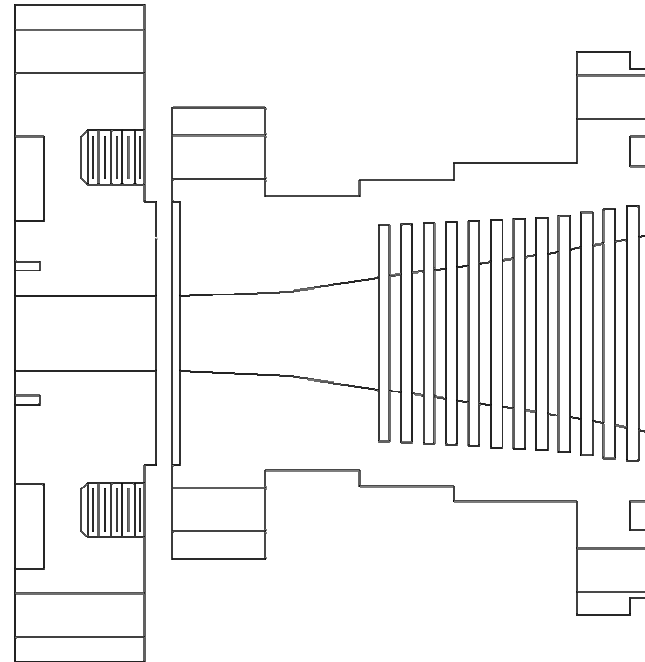
K-Band



Q-Band



- Noticed problems with interface
- Modify only if there is a problem

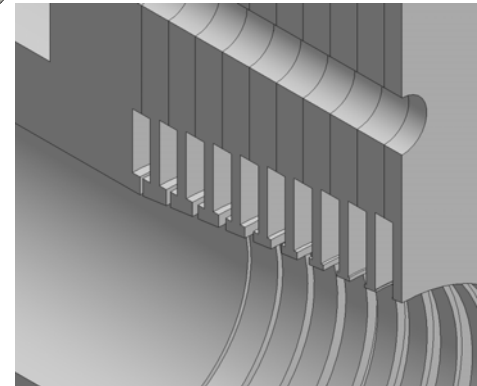
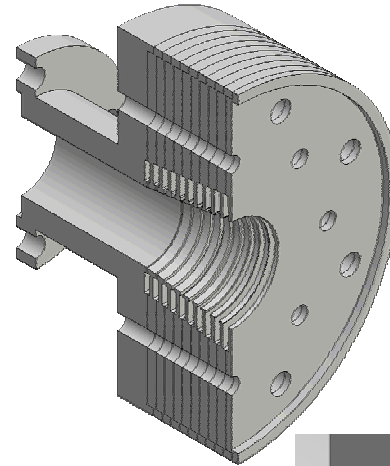




K-Band Feed History



- Version 2 -
Continuous Feed
- Version 3 –
Introduction of Ring
Load section
- Version 5 –
Elimination of
boss/deboss section

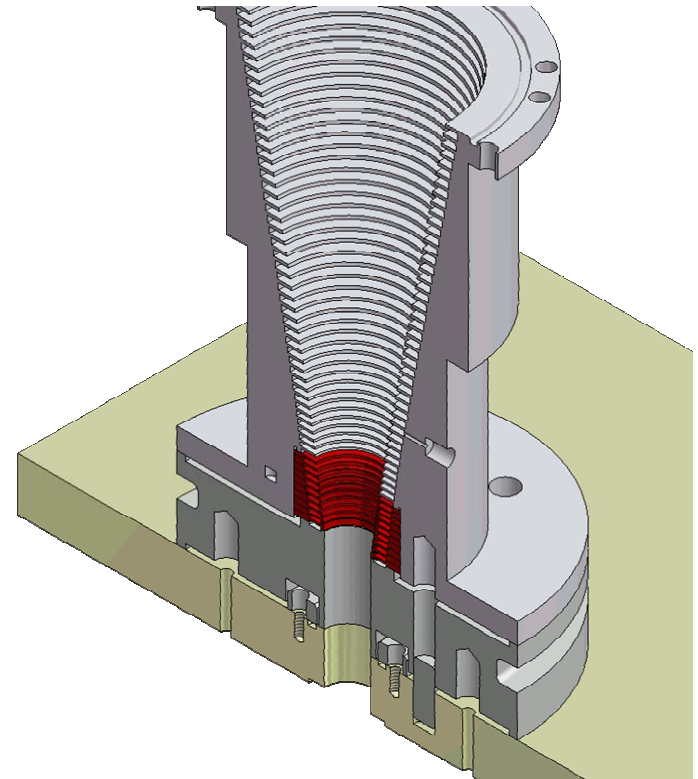




K-Band Version 5 Retrofit



- New Ring Load section
- New First Section of Feed
- New Top Plate
- New Window Retainer
- Retained Vacuum with not attached feed





Questions?

