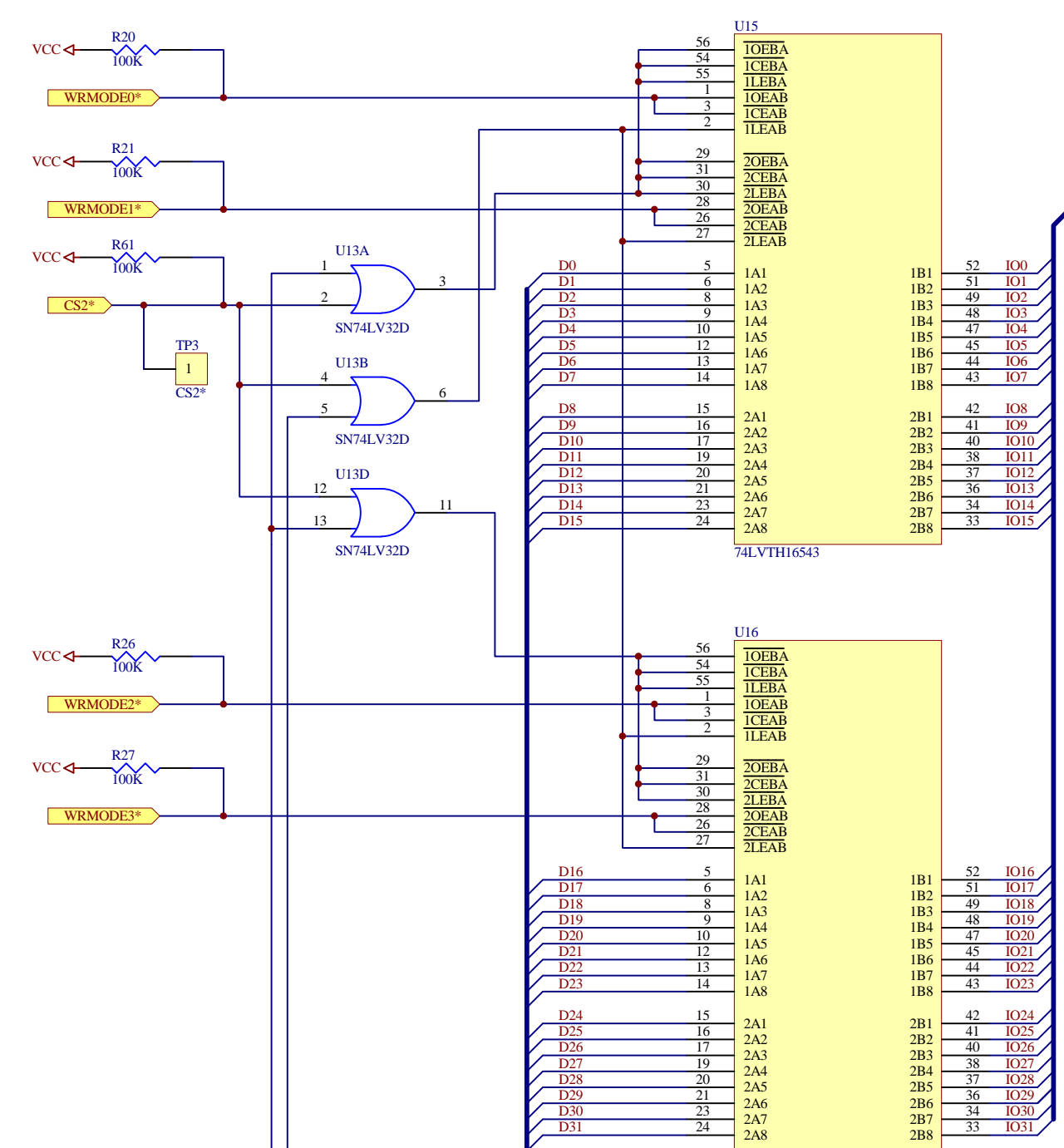
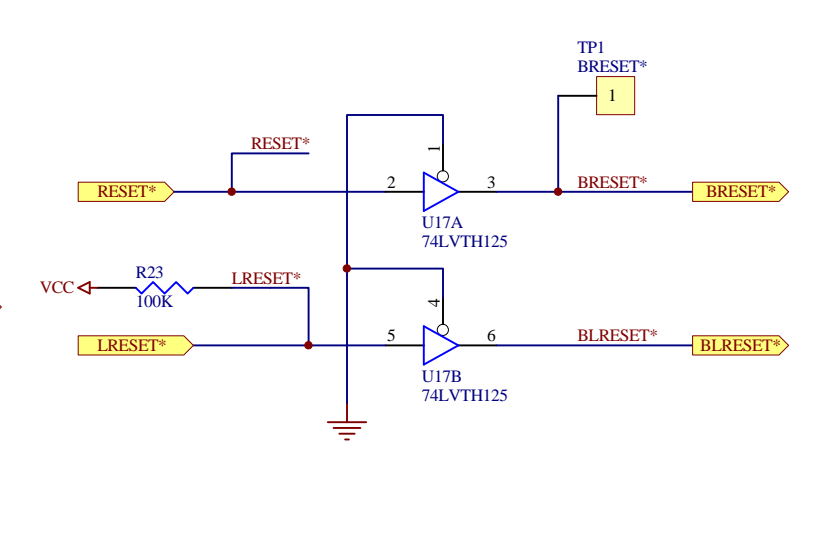


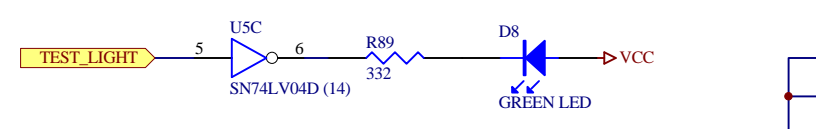
GENERAL PURPOSE I/O



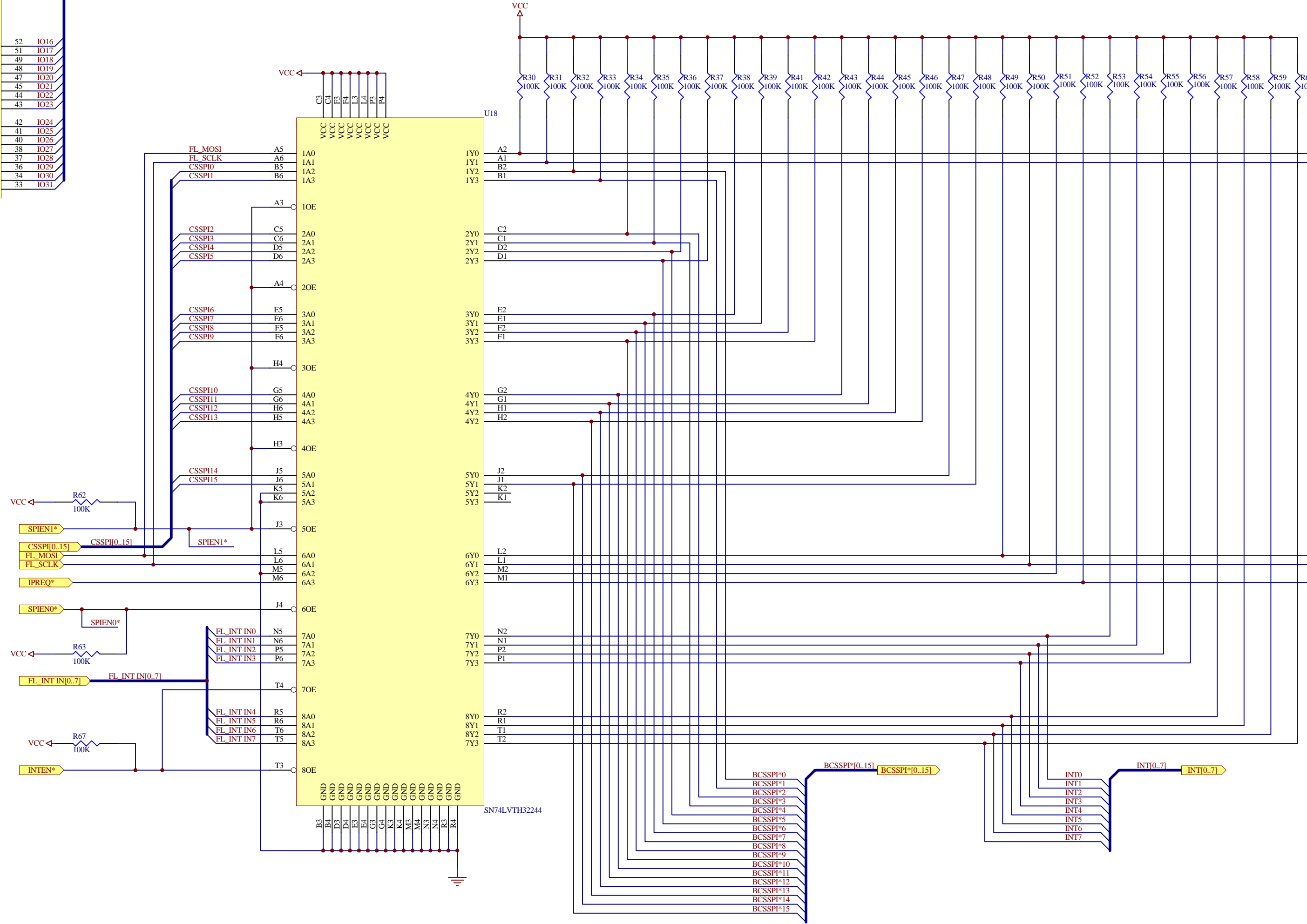
RESET BUFFERING



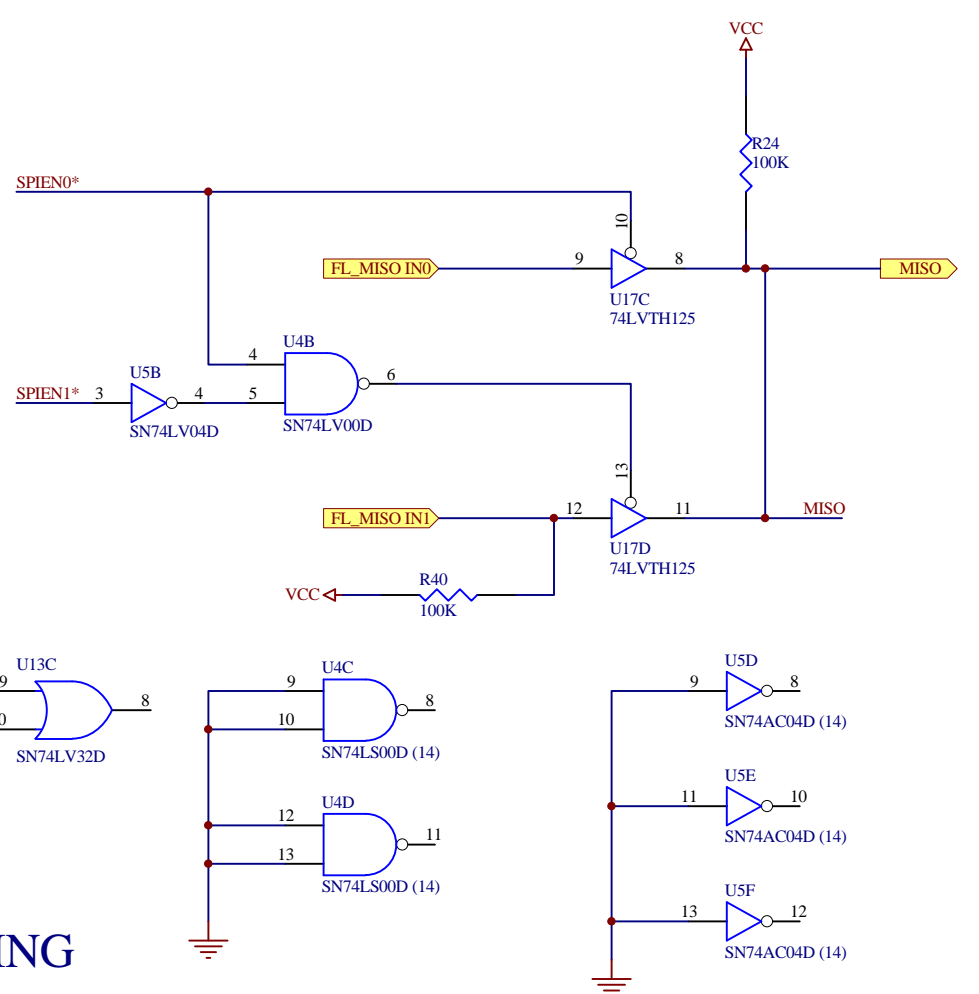
TEST LIGHT



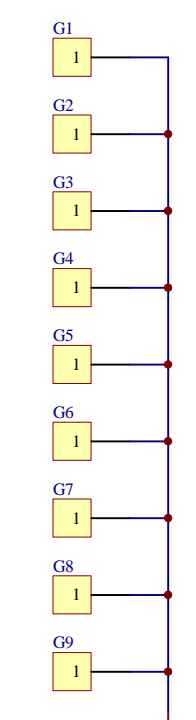
SPI AND INTERRUPT BUFFERING



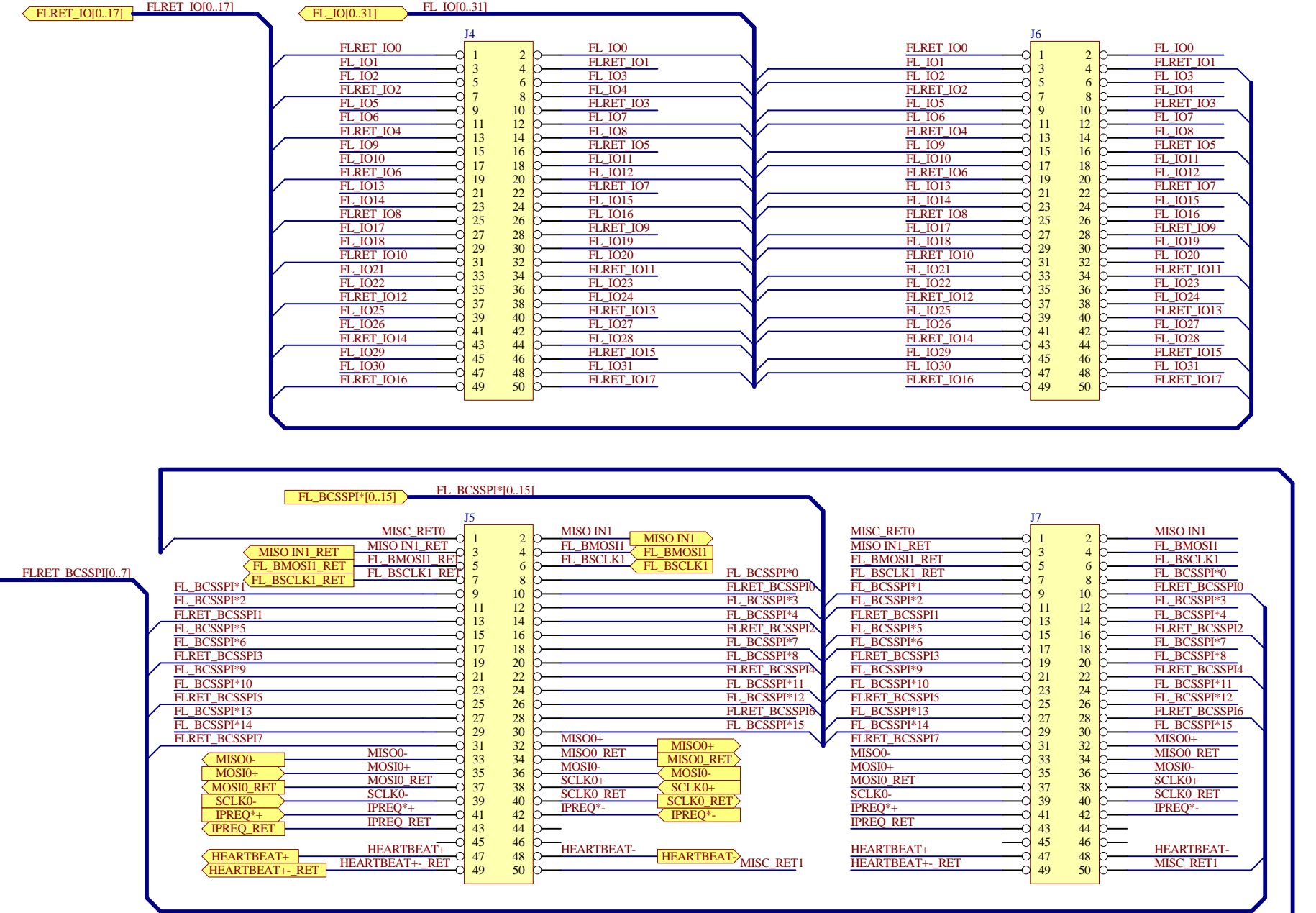
SPI INPUT BUFFERING



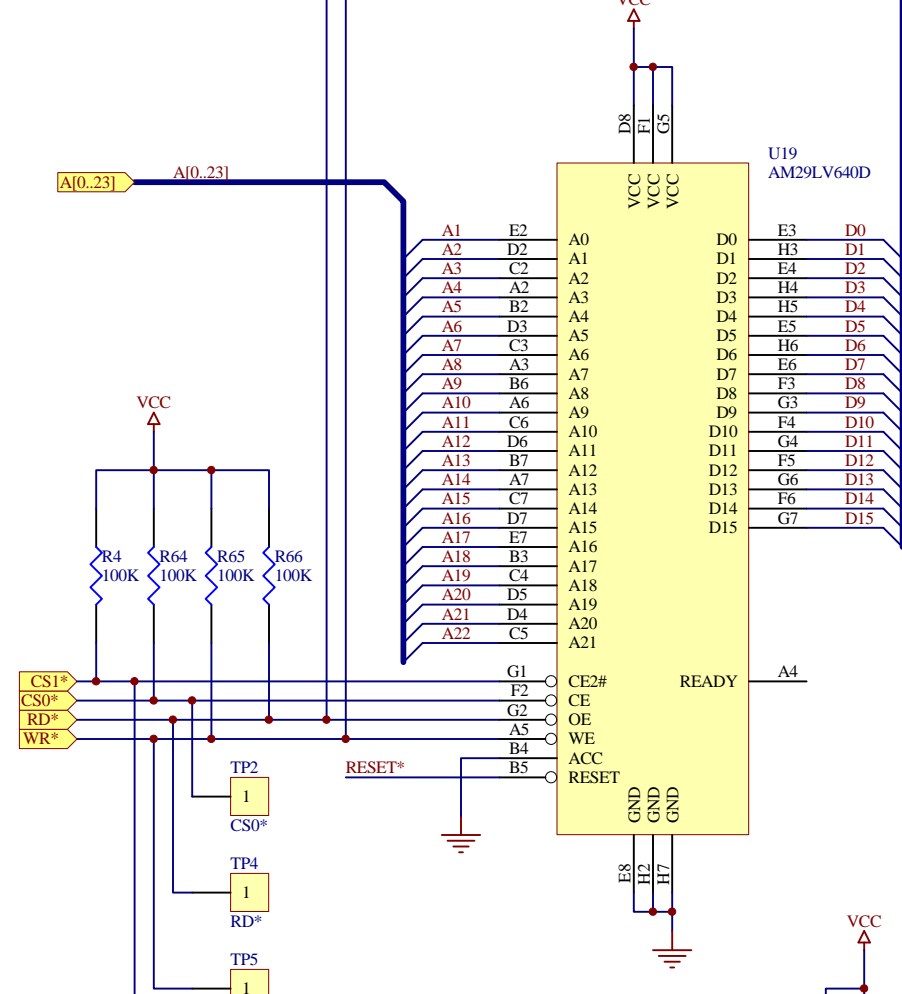
GROUND CLIPS



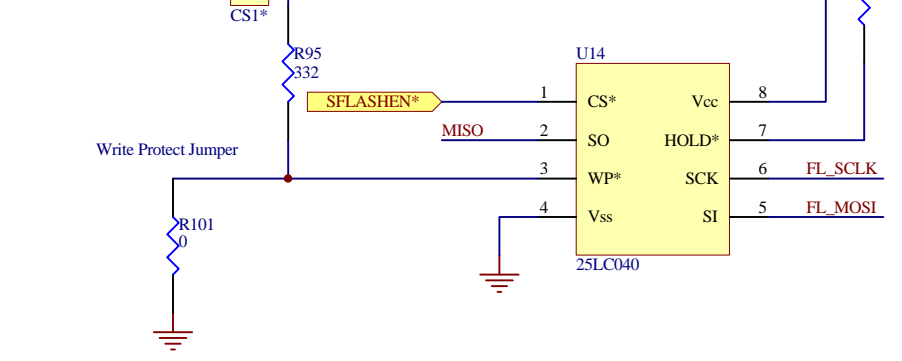
MAIN I/O CONNECTORS



PARALLEL FLASH



SERIAL FLASH



COMMON EXTERNAL CONNECTOR

