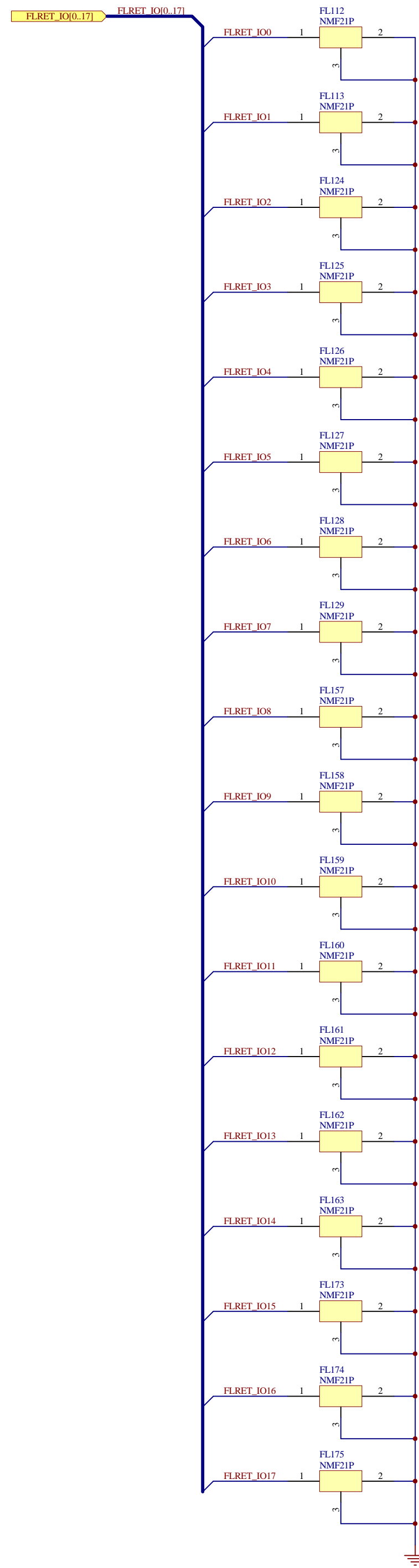
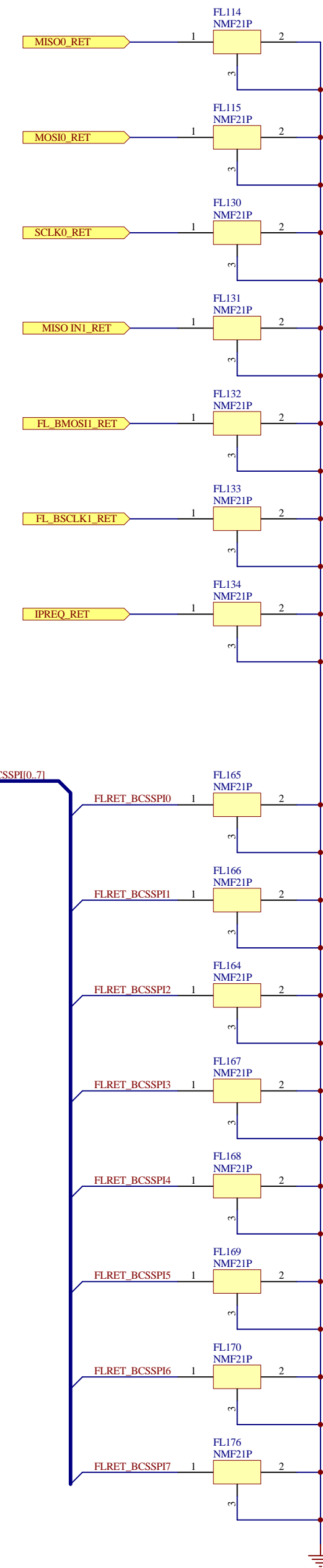


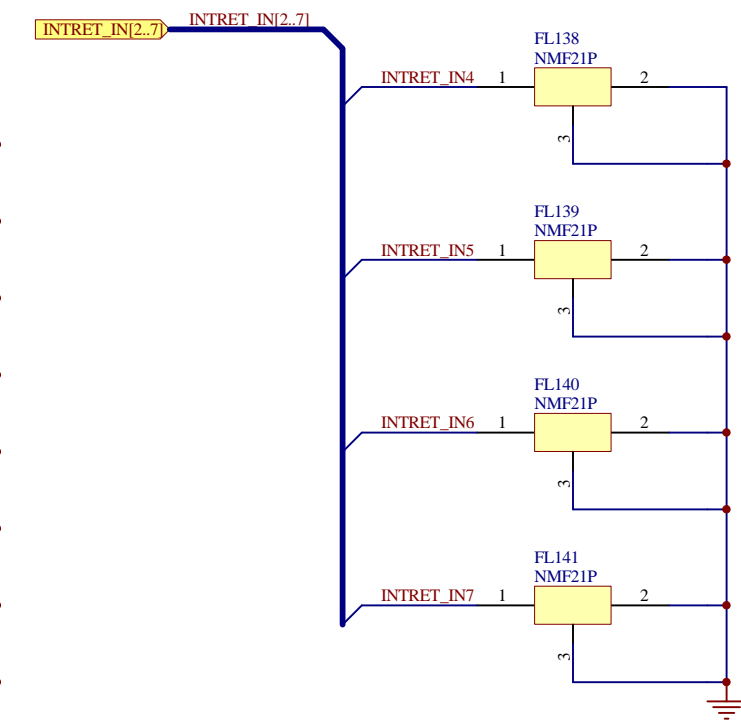
I/O Filtered Return Lines



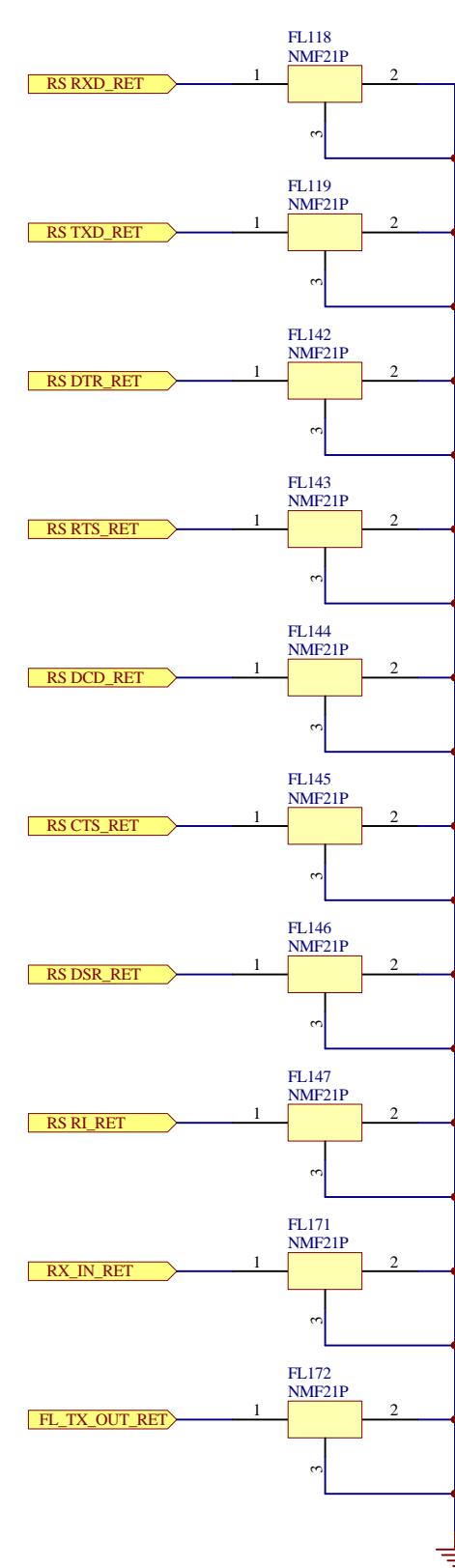
SPI Filtered Return Lines



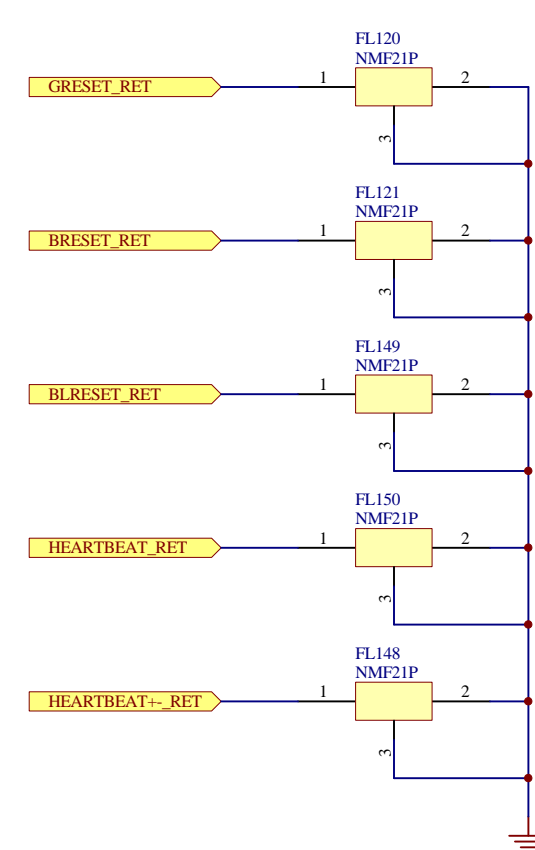
Interrupt Filtered Return Lines



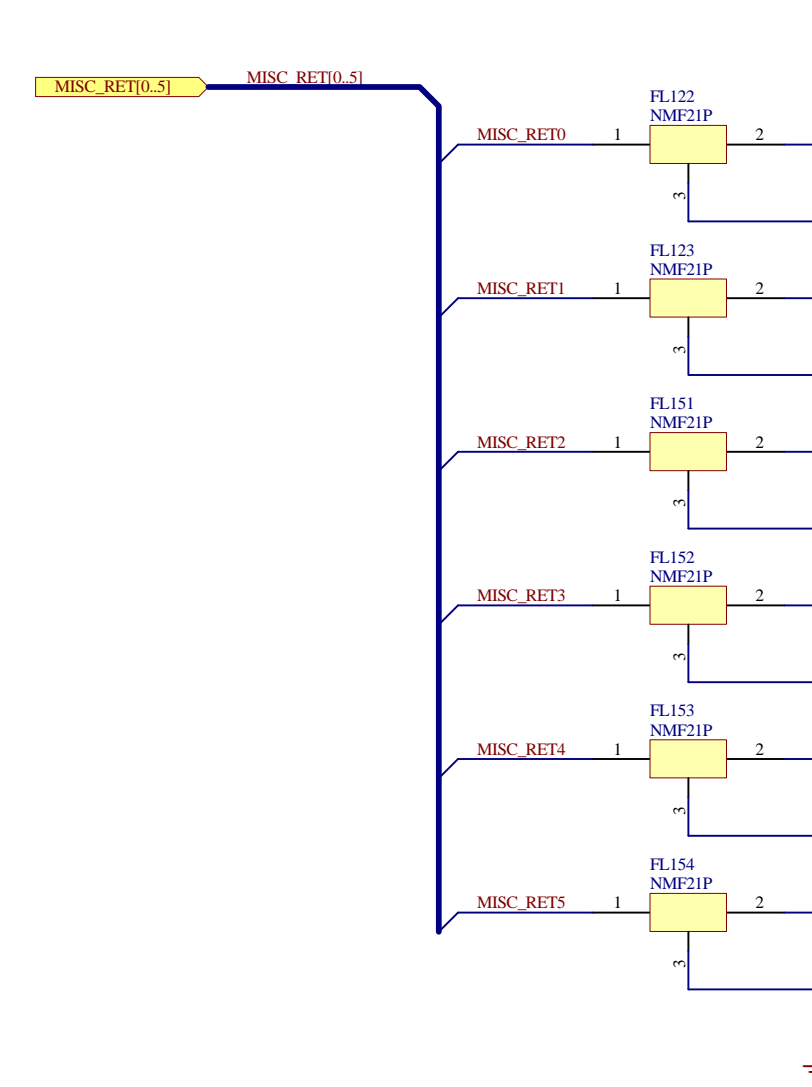
Serial Ports Filtered Return Lines



MIB Functions Filtered Return Lines



Miscellaneous Filtered Return Lines



Title		
Size	Number	Revision
D		
Date:	17-Aug-2004	Sheet of
File:	D:\Print_work\MIBR4\MIBR4.dwg	Drawn By: