

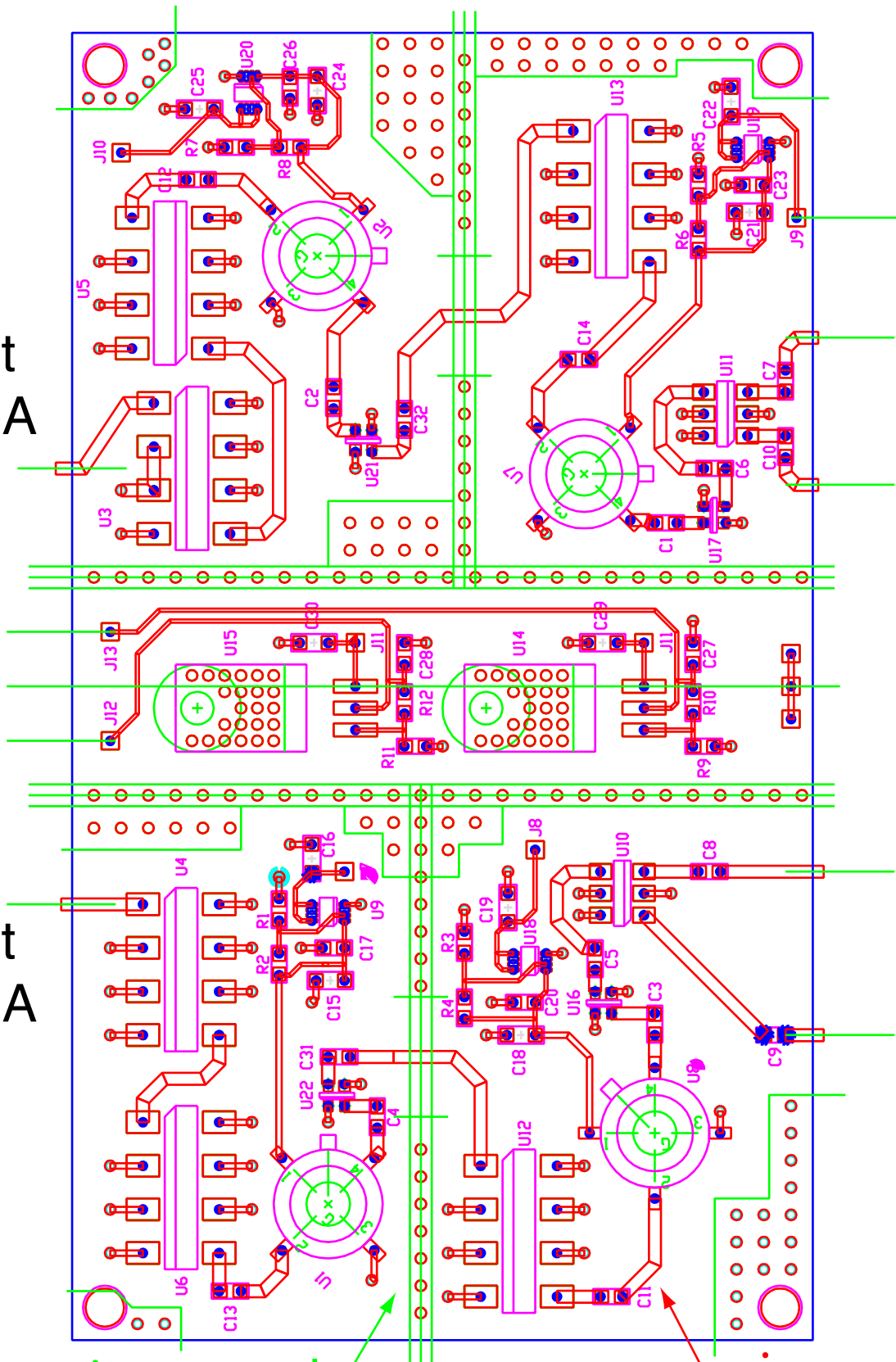
# Post-LNA Amplifier Board

CP input  
from LNA  
board

CP input  
from LNA  
board

From  
P-band  
To VLA  
IF rack

From  
P-band  
To VLA  
IF rack



vias to grnd  
and footprints  
of compart-  
ment walls

micro  
strip  
lines