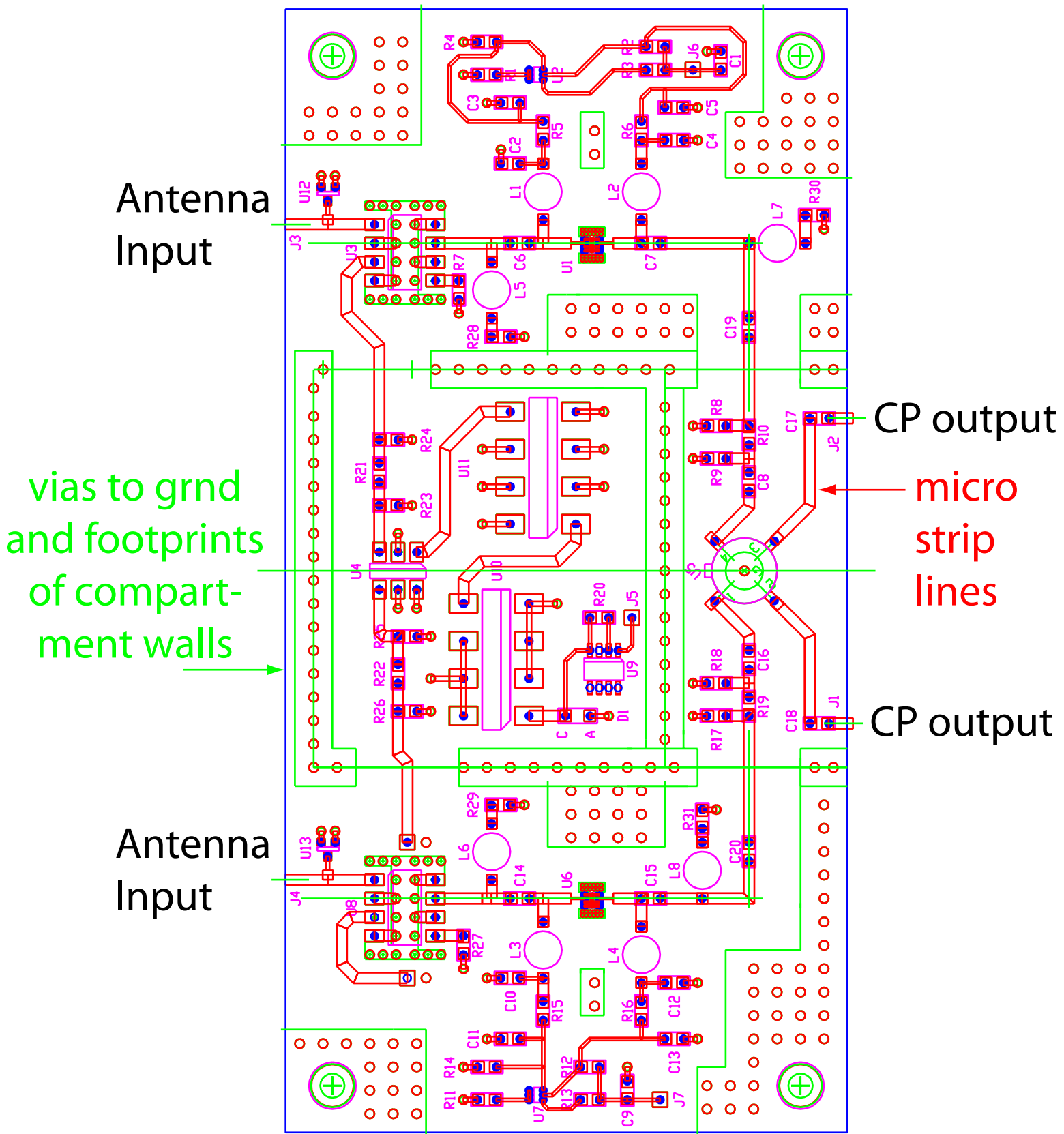


Temperature Regulated LNA board



3 x 6 inches