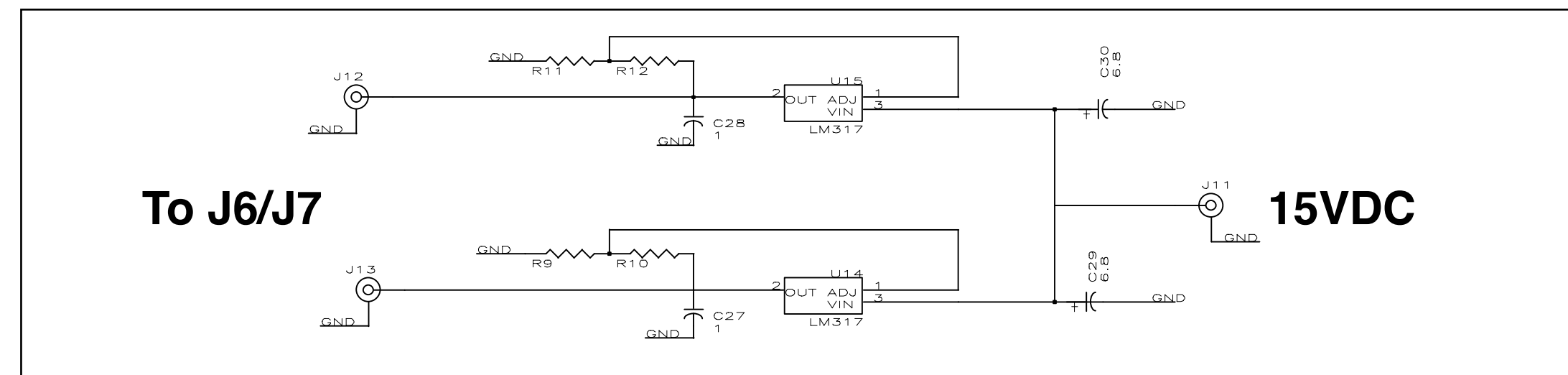
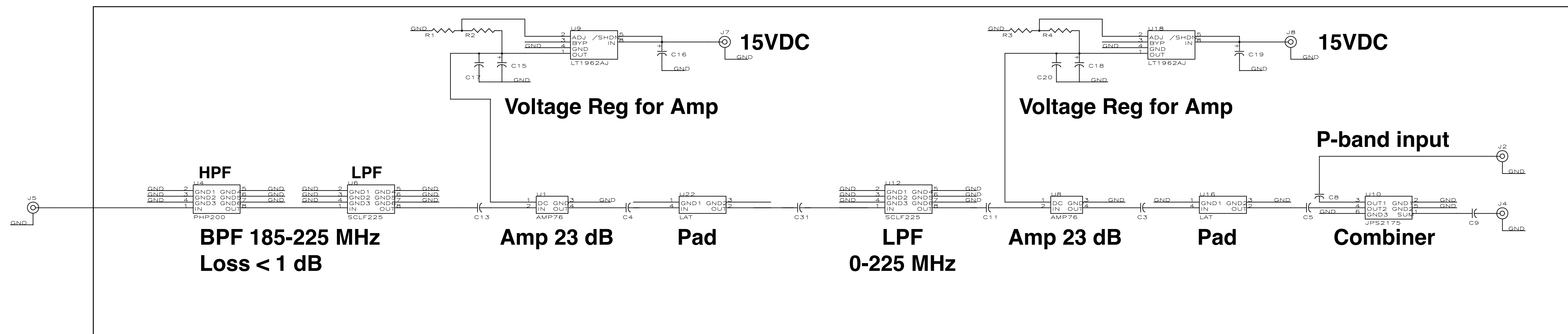


# Post-LNA Amplifier Board



LNA Voltage Regulator



Inputs from  
LNA+Q-Hybrid

VHF + 4m + P-band  
output to IF Rack A

